



GS SERIES CNC LATHES

FANUC 0i-TC PARTS LIST

GS 8220iTCP

**Version : A
June, 2007**

**漢廷股份有限公司
Hardinge Taiwan Precision Machinery Ltd.**

PARTS LIST

<u>DWG NO.</u>	<u>TITLE</u>		<u>VERSION</u>
GS 8220iTC-P01	X AXIS	(GS 150/200)	A
GS 8220iTC-P02	Z AXIS	(GS 150/200)	A
GS 8220iTC-P03	SPINDLE MOTOR/CHUCK SOLENOID	(GS 150/200)	A
GS 8220iTC-P04	FRONT VIEW	(GS 150/200)	A
GS 8220iTC-P05	REAR VIEW	(GS 150/200)	A
GS 8220iTC-P06	RIGHT SIDE	(GS 150/200)	A
GS 8220iTC-P07	TAILBODY_LIMIT SW.	(GS 150/200)	A
GS 8220iTC-P08	POWER CASE	(GS 150/200)	A
GS 8220iTC-P09	POWER CASE BOM	(GS 150/200)	A
GS 8220iTC-P10	POWER CASE BOM	(GS 150/200)	A
GS 8220iTC-P11	POWER CASE BOM	(GS 150/200)	A
GS 8220iTC-P12	POWER CASE BOTTOM	(GS 150/200)	A
GS 8220iTC-P13	POWER CASE LEFT SIDE	(GS 150/200)	A
GS 8220iTC-P14	POWER CASE DOOR	(GS 150/200)	A
GS 8220iTC-P15	X AXIS	(GS 200/66,GS 250)	A
GS 8220iTC-P16	Z AXIS	(GS 200/66,GS 250)	A
GS 8220iTC-P17	SPINDLE MOTOR/CHUCK SOLENOID	(GS 200/66,GS 250)	A
GS 8220iTC-P18	FRONT VIEW	(GS 200/66,GS 250)	A
GS 8220iTC-P19	REAR VIEW	(GS 200/66,GS 250)	A
GS 8220iTC-P20	RIGHT SIDE	(GS 200/66,GS 250)	A
GS 8220iTC-P21	TAILBODY_LIMIT SW.	(GS 200/66,GS 250)	A
GS 8220iTC-P21A	TAILBODY_LIMIT SW.	(GS 200/66L,GS 250L)	A
GS 8220iTC-P22	POWER CASE	(GS 200/66,GS 250)	A
GS 8220iTC-P23	POWER CASE BOM	(GS 200/66,GS 250)	A
GS 8220iTC-P24	POWER CASE BOM	(GS 200/66,GS 250)	A
GS 8220iTC-P25	POWER CASE BOM	(GS 200/66,GS 250)	A
GS 8220iTC-P26	POWER CASE BOTTOM	(GS 200/66,GS 250)	A
GS 8220iTC-P27	POWER CASE LEFT SIDE	(GS 200/66,GS 250)	A
GS 8220iTC-P28	POWER CASE DOOR	(GS 200/66,GS 250)	A
GS 8220iTC-P29	LIO SHING SERVO TURRET	(GS SERIES)	A
GS 8220iTC-P30	LIO SHING HYDRAULIC TURRET	(GS SERIES)	A
GS 8220iTC-P31	POWER PANEL	(GS SERIES)	A
GS 8220iTC-P32	MAIN OPERATION PANEL	(GS SERIES)	A
GS 8220iTC-P33	SYSTEM DIAGRAM	(GS SERIES)	A
GS 8220iTC-P34	SYSTEM DIAGRAM(WITH C AXIS)	(GS SERIES)	A
GS 8220iTC-P35	SYSTEM DIAGRAM	(GS SERIES)	A
GS 8220iTC-P36	CABLE DESCRIPTION BOM	(GS SERIES)	A
GS 8220iTC-P37	CABLE DESCRIPTION BOM	(GS SERIES)	A

1

2

3

4

REV	DESCRIPTION	DATE	ECN.
A	RELEASE TO A	2007/06/01	TBLE0106

A

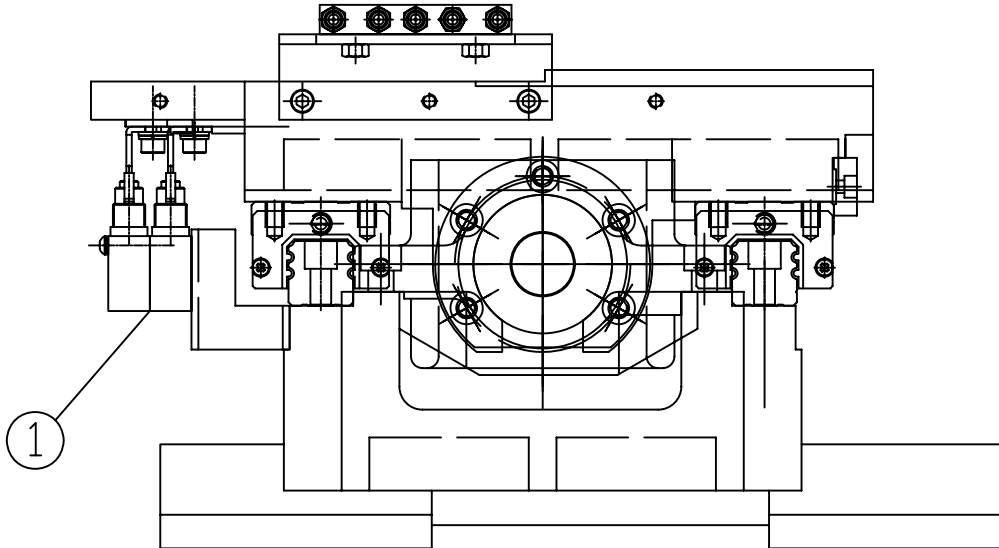
B

C

D

E

F

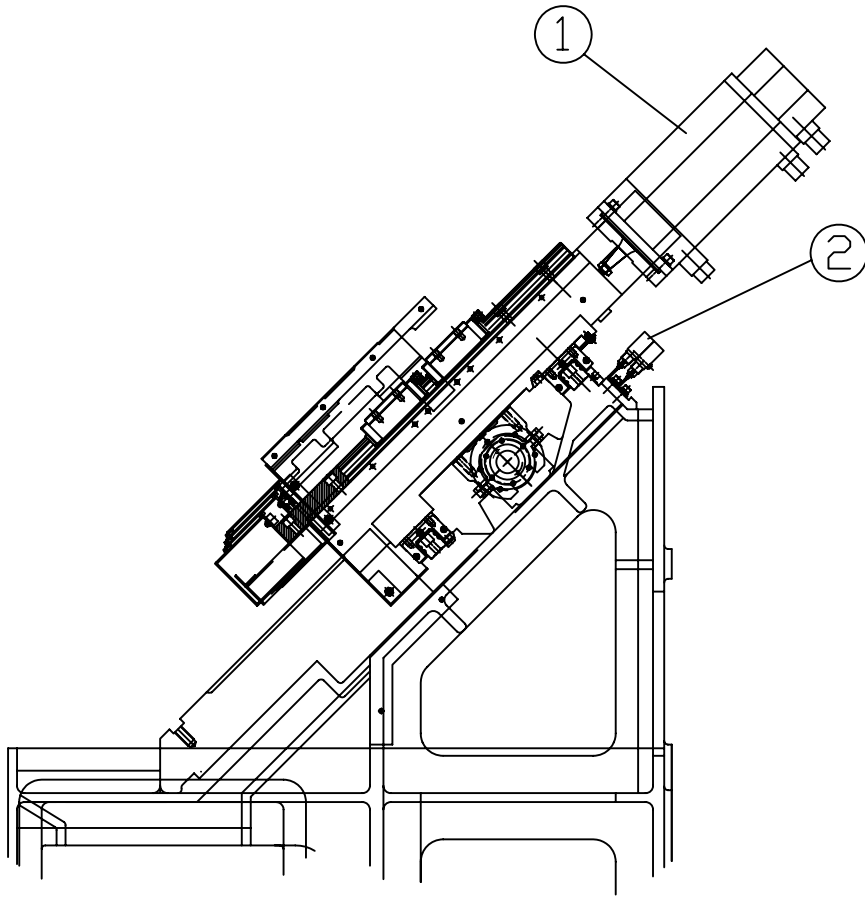


GS 8220iTC-P01 PARTS LIST

ITEM (項目)	PART NUMBER (零件料號)	SPECIFICATION (規格)	DESCRIPTION (說明)	QUANTITY (數量)
1	NV 00102440000	SL1-A(YAMATAKE)	X AXSI REF/EM SWITCH	2

DRAWN	RACHEL-C	2007-06-01	NC TYPE	01-TC	MT TYPE	GS 150/200
CHECK	SUNNY-L	2007-06-01	DWG NO	E01\GS 8220iTC-P01	VERSION:A	
APPROVE	SUNNY-L	2007-06-01	PART NO	GS 8220iTCP		
TITLE	X AXIS					
REF						

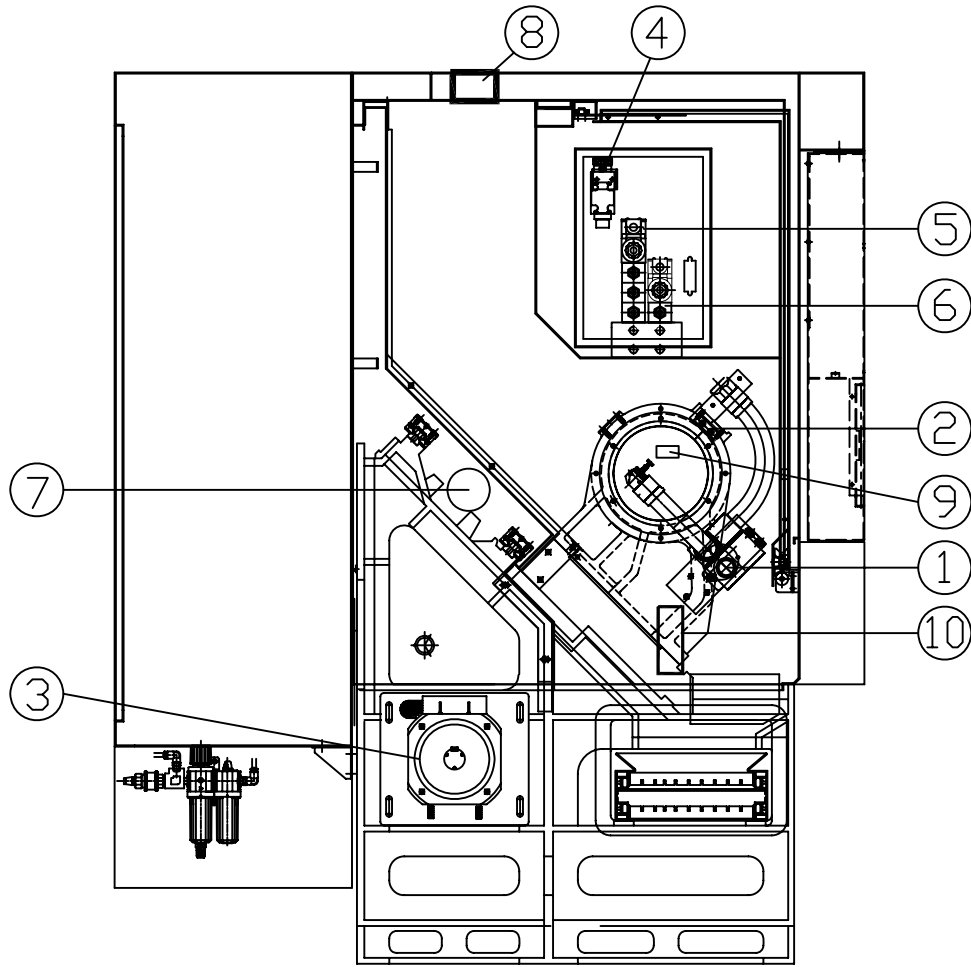
REV	DESCRIPTION	DATE	ECN.
A	RELEASE TO A	2007/06/01	TBLE0106



GS 8220iTC-P02 PARTS LIST				
ITEM (項目)	PART NUMBER (零件料號)	SPECIFICATION (規格)	DESCRIPTION (說明)	QUANTITY (數量)
1	NV 00004000025	A06B-0227-B301 (FANUC)	X AXIS SERVO MOTOR	1
2	NV 00102440000	SL1-A(YAMATAKE)	Z AXSI REF/EM SWITCH	2

DRAWN	RACHEL-C	2007-06-01	NC TYPE	0i-TC	MT TYPE	GS 150/200
CHECK	SUNNY-L	2007-06-01	DWG NO	E01\GS 8220iTC-P02	VERSION:A	
APPROVE	SUNNY-L	2007-06-01	PART NO	GS 8220iTCP		
TITLE	Z AXIS					
REF						

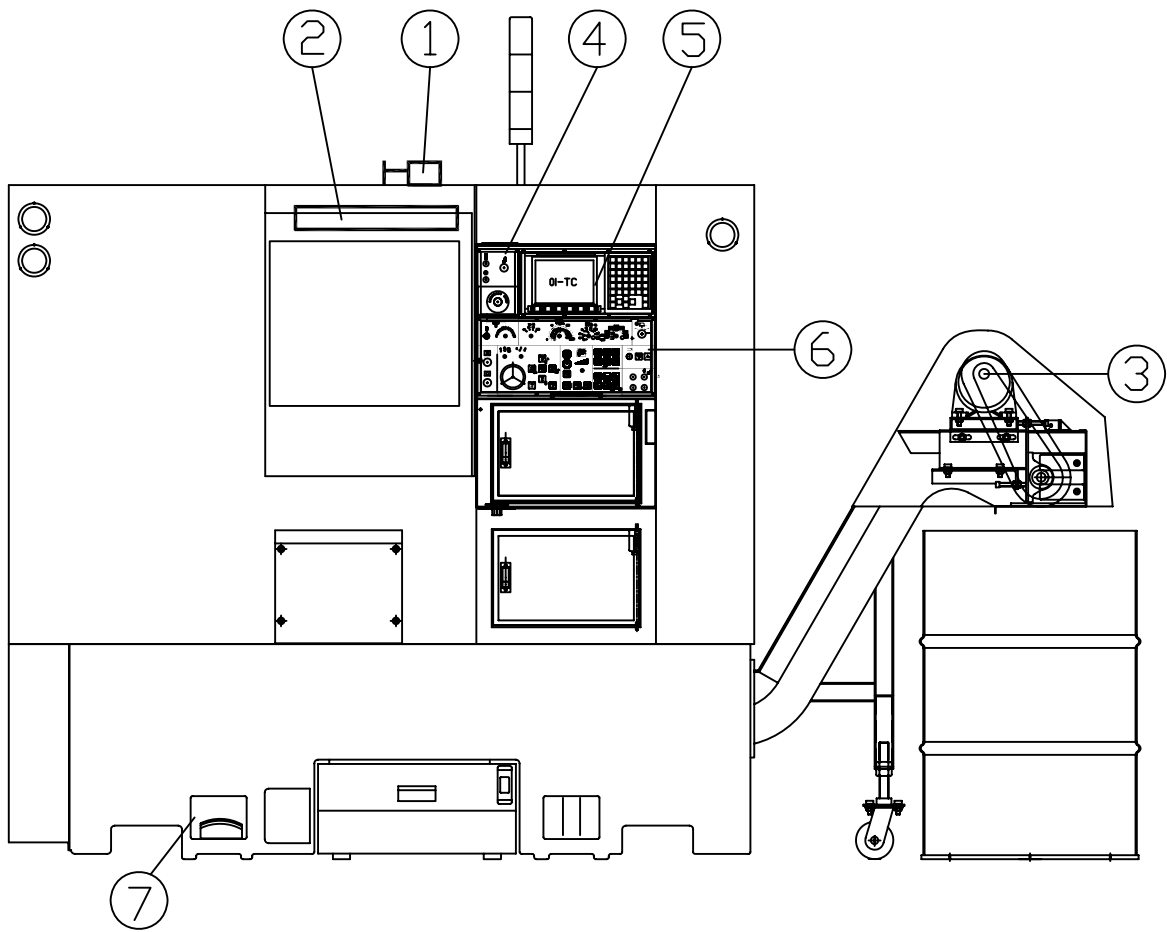
REV	DESCRIPTION	DATE	ECN.
A	RELEASE TO A	2007/06/01	TBLE0106



GS 8220iTC-P03 PARTS LIST				
ITEM (項目)	PART NUMBER (零件料號)	SPECIFICATION (規格)	DESCRIPTION (說明)	QUANTITY (數量)
1	BL 00028340401	6'-8'	TOOL PROBE ARM	1
2	NV 00081480001	MSK-015-1024-08	SPD. ROT. SPEED SENSOR	1
3	BL 00004000034	AP15 FLOKB/6000RPM A06B-1449-B150	SPINDLE MOTOR	1
4			CHUCK PRESSURE DETECT	1
5			CHUCK INWARD SOLENOID	1
6			CHUCK OUTWARD SOLENOID	1
7	NV 00004000024	A06B-0227-B001 (FANUC)	Z AXIS SERVO MOTOR	1
8-1	BL 00118500004	6'	FAN NET	2
8-2	BL 00115550200	6' AC110V	FAN	1
9	NV 00028340012	E2E-X3D2-N (OMRON)	PROXIMITY SWITCH (FOR CE)	2
10	NV 00102440020	XCSPA791+XCSZ15 (TE)	DOOR SWITCH (FOR CE)	1

DRAWN	RACHEL-C	2007-06-01	NC TYPE	0i-TC	MT TYPE	GS 150/200
CHECK	SUNNY-L	2007-06-01	DWG NO	E01\GS 8220iTC-P03	VERSION:A	
APPROVE	SUNNY-L	2007-06-01	PART NO	GS 8220iTCP		
TITLE	SPINDLE MOTOR/CHUCK SOLENOID					
REF						

REV	DESCRIPTION	DATE	ECN.
A	RELEASE TO A	2007/06/01	TBLE0106

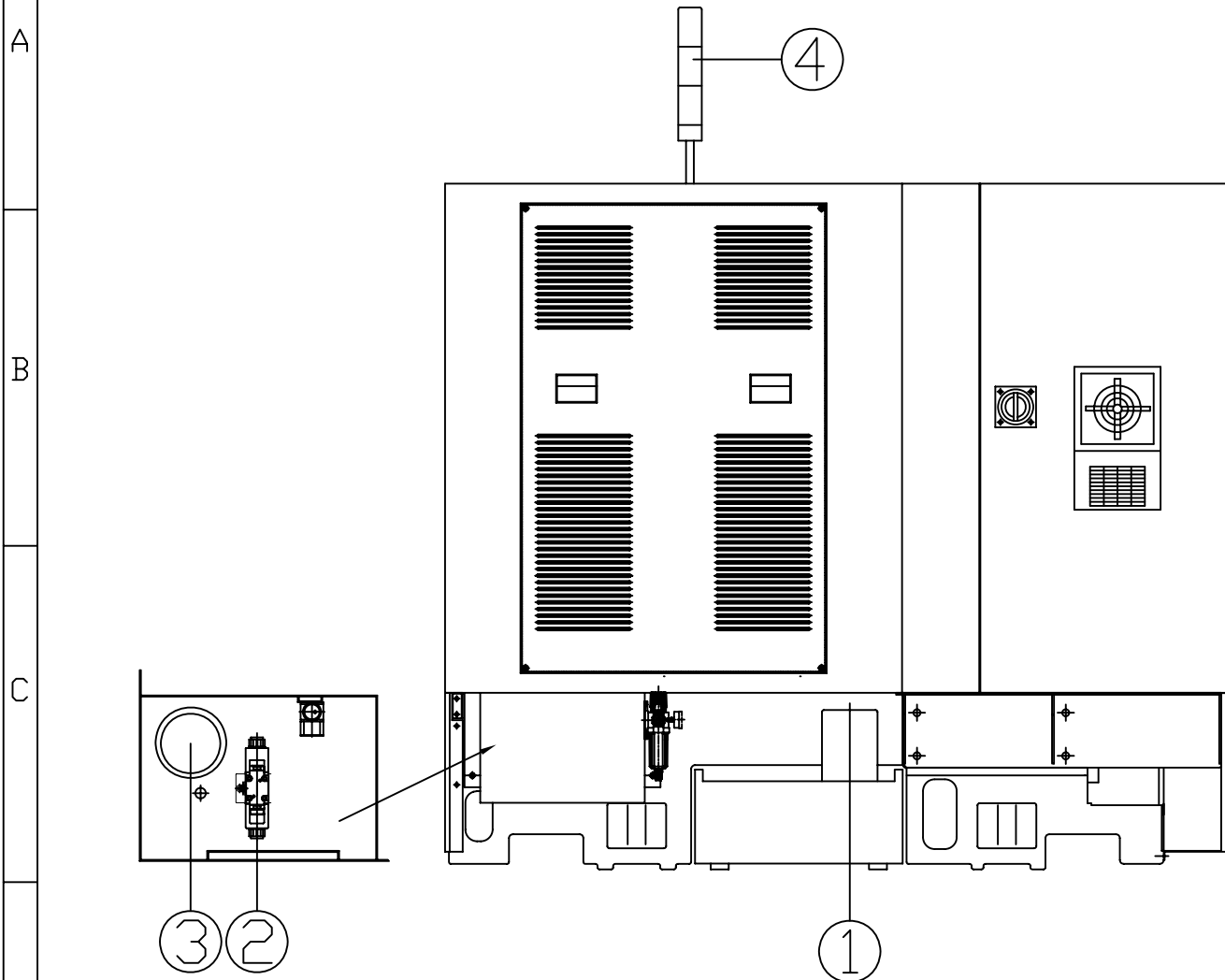


GS 8220iTC-P04 PARTS LIST

ITEM (項目)	PART NUMBER (零件料號)	SPECIFICATION (規格)	DESCRIPTION (說明)	QUANTITY (數量)
1-1	NV 00102440002	XCSPA591,XCSZ14 (TE)	DOOR SWITCH	1
1-2	NV 00102440014	XCS-TE7311 (TE)	DOOR SWITCH FOR CE (DP)	1
2	NV 00089150003	AC24V 18W	WORK LAMP	1
3		3 PHASE 200W	CHIP CONVEYOR MOTOR	1
4	BL 000327901B	ASSM	NC POWER PANEL	1
5	BL 00004000212	8.4"LCD/MDI FANUC 0I-TC	FANUC 0I-TC	1
6	BL 000327906 BL 000327907	FOR WITHOUT POWER TOOLING FOR WITH POWER TOOLING	MAIN OPERATION PANEL (BL-DPOI-003)	1
7	BL 00102240000	SFS-337	FOOT SWITCH	1

DRAWN	RACHEL-C	2007-06-01	NC TYPE	0i-TC	MT TYPE	GS 150/200
CHECK	SUNNY-L	2007-06-01	DWG NO	E01\GS 8220iTC-P04	VERSION:A	
APPROVE	SUNNY-L	2007-06-01	PART NO	GS 8220iTCP		
TITLE	FRONT VIEW					
REF						

REV	DESCRIPTION	DATE	ECN.
A	RELEASE TO A	2007/06/01	TBLE0106



GS 8220iTC-P05 PARTS LIST

ITEM (項目)	PART NUMBER (零件料號)	SPECIFICATION (規格)	DESCRIPTION (說明)	QUANTITY (數量)
1	BL 00033250101	MTH4-20 [GRUNDFOS]	COOLANT MOTOR	1
2			TURRET CLAMP SOLENOID	1
3		3 PHASE 2HP	HYD. PUMP MOTOR	1
4-1	BL 00120450200	DC24V (G/R/Y/BZ)	TOWER LIGHT & BUZZER (3 COLOR) (OP)	1
4-2	NV 00120450202	DC24V 30mm	BUZZER(STAND)	1

DRAWN	RACHEL-C	2007-06-01	NC TYPE	01-TC	MT TYPE	GS 150/200
CHECK	SUNNY-L	2007-06-01	DWG NO	E01\GS 8220iTC-P05		VERSION:A
APPROVE	SUNNY-L	2007-06-01	PART NO	GS 8220iTCP		
TITLE	REAR VIEW					
REF						

1

2

3

4

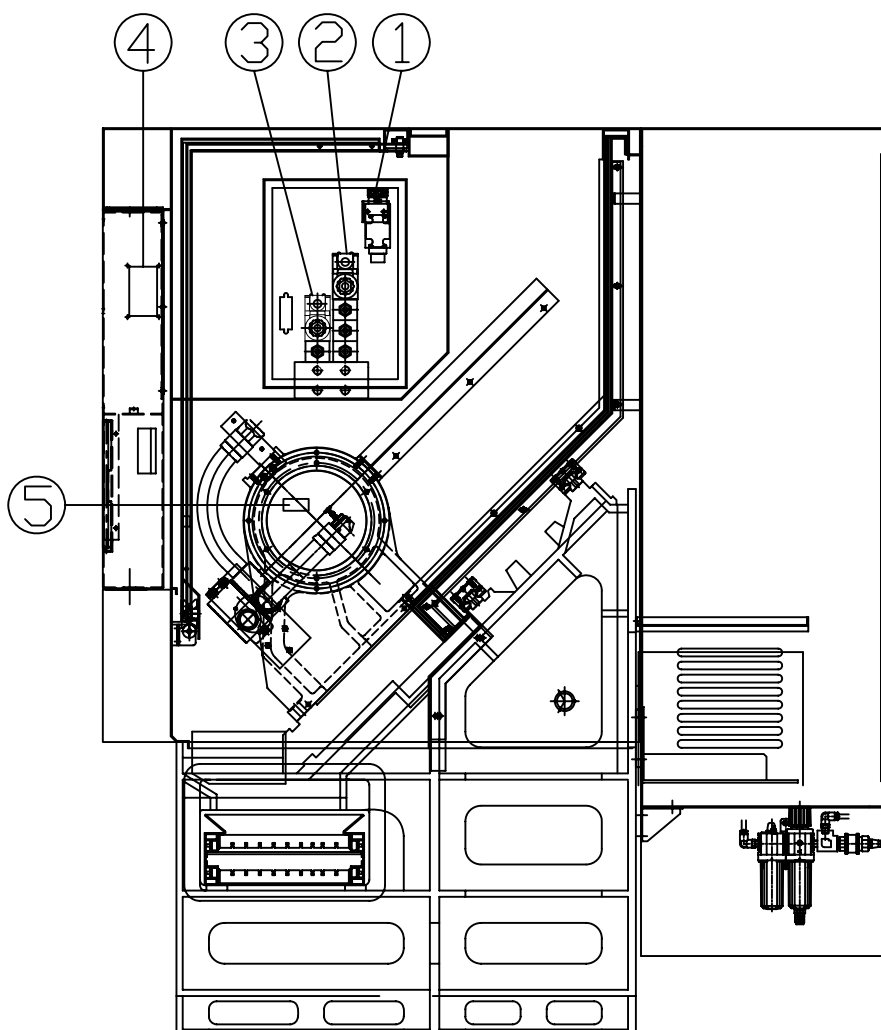
REV	DESCRIPTION	DATE	ECN.
A	RELEASE TO A	2007/06/01	TBLE0106

A

B

C

D



GS 8220iTC-P06 PARTS LIST

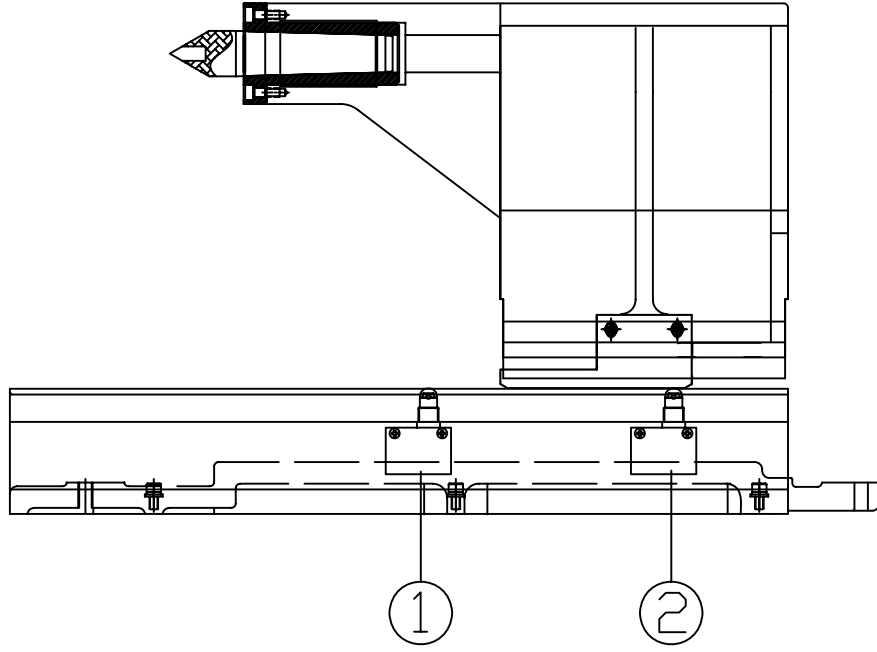
ITEM (項目)	PART NUMBER (零件料號)	SPECIFICATION (規格)	DESCRIPTION (説明)	QUANTITY (數量)
1			TAILSTOCK BODY FORWARD END DETECT	1
2			TAILSTOCK BODY FORWARD SOLENOID	1
3			TAILSTOCK BODY RETRACT END DETECT	1
4	BL 0003011132X	ASSM	RS232C INTERFACE	1
5	NV 00028340012	E2E-X3D2-N (OMRON)	PROXIMITY SWITCH (FOR CE)	2

E

F

DRAWN	RACHEL-C	2007-06-01	NC TYPE	Oi-TC	MT TYPE	GS 150/200
CHECK	SUNNY-L	2007-06-01	DWG NO	E01\GS 8220iTC-P06		VERSION:A
APPROVE	SUNNY-L	2007-06-01	PART NO	GS 8220iTCP		
TITLE	RIGHT SIDE					
REF						

REV	DESCRIPTION	DATE	ECN.
A	RELEASE TO A	2007/06/01	TBLE0106



GS 8220iTC-P07 PARTS LIST				
ITEM (項目)	PART NUMBER (零件料號)	SPECIFICATION (規格)	DESCRIPTION (説明)	QUANTITY (數量)
1	NV 00102440000	SL1-A(YAMATAKE)	TAILSTOCK BODY SLOW DOWN SWITCH	1
2	NV 00102440000	SL1-A(YAMATAKE)	TAILSTOCK BODY RETRACT SWITCH	1

DRAWN	RACHEL-C	2007-06-01	NC TYPE	Oi-TC	MT TYPE	GS 150/200
CHECK	SUNNY-L	2007-06-01	DWG NO	E01\GS 8220iTC-P07		VERSION:A
APPROVE	SUNNY-L	2007-06-01	PART NO	GS 8220iTCP		
TITLE	TAILBODY_LIMIT SW.					
REF						

1

2

3

4

REV	DESCRIPTION	DATE	ECN.
A	RELEASE TO A	2007/06/01	TBLE0106

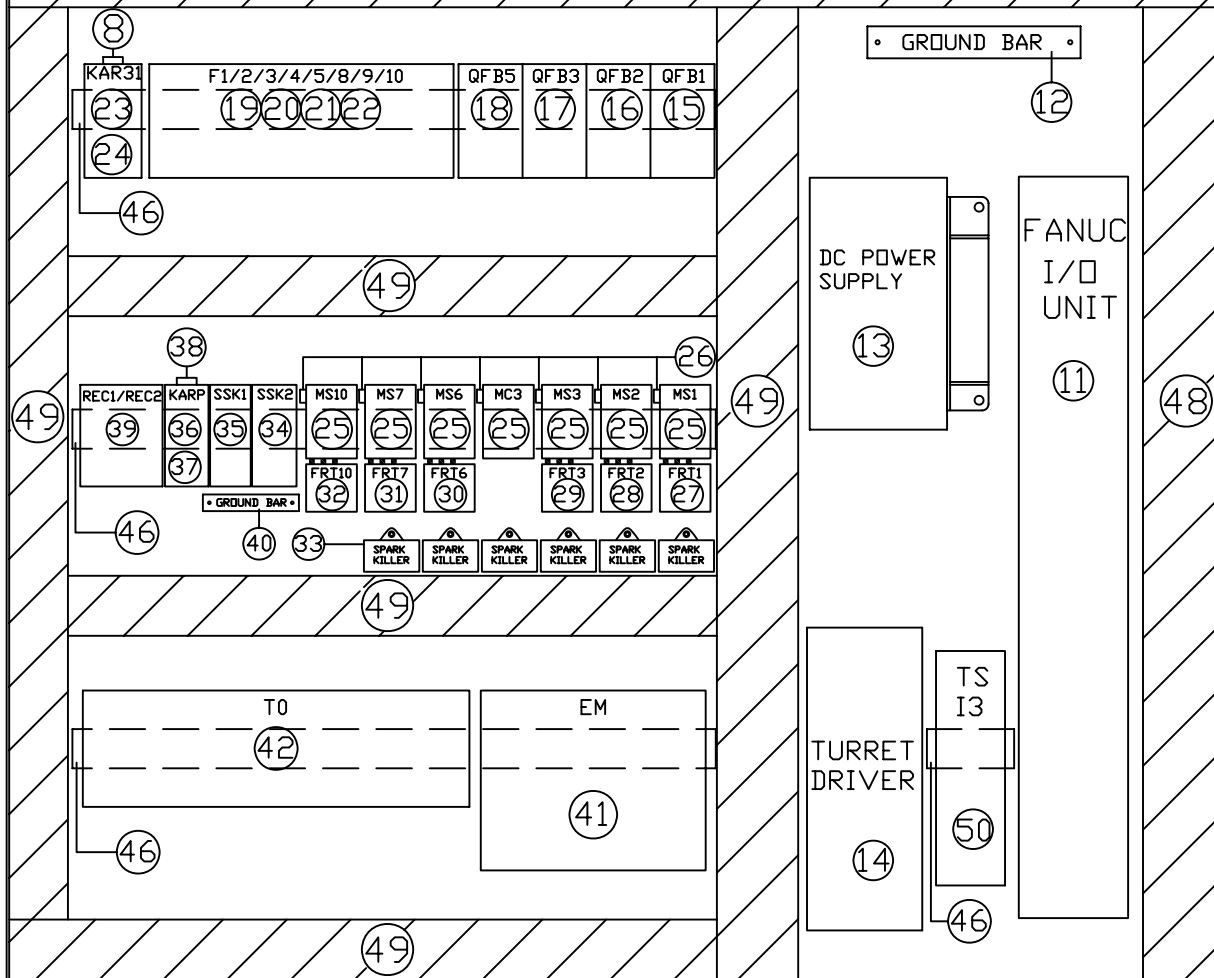
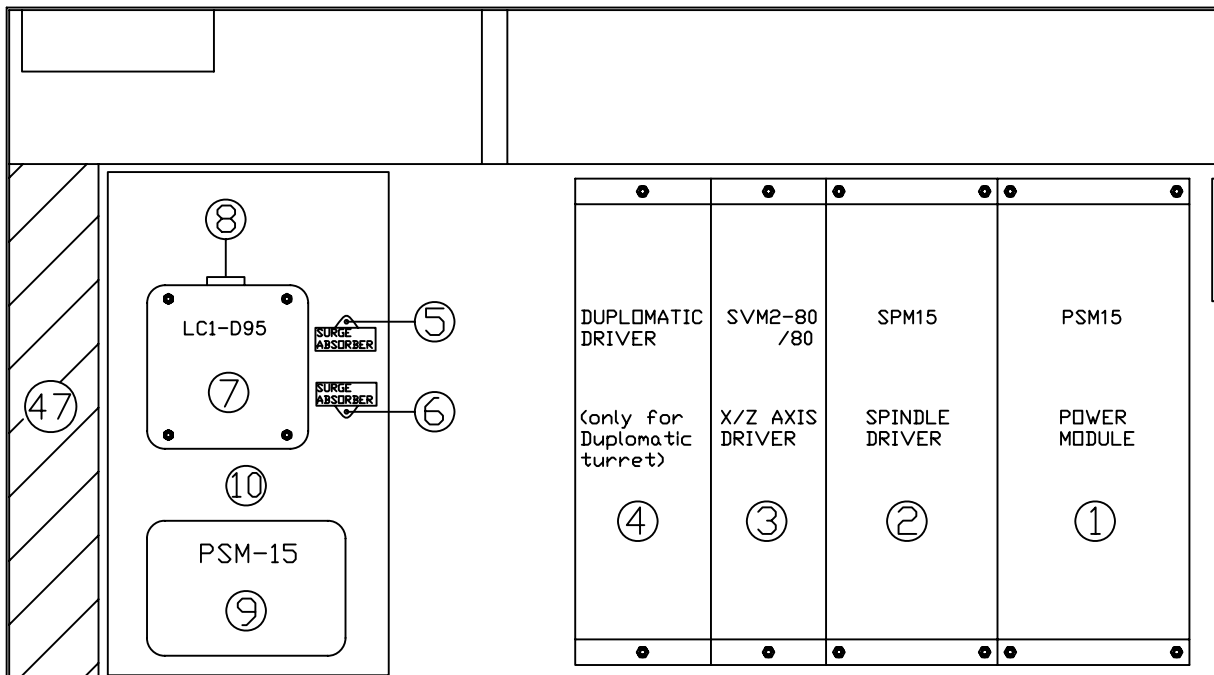
A

B

C

D

E



DRAWN	RACHEL-C	2007-06-01	NC TYPE	Oi-TC	MT TYPE	GS 150/200
CHECK	SUNNY-L	2007-06-01	DWG NO	E01\GS 8220iTC-P08	VERSION:A	
APPROVE	SUNNY-L	2007-06-01	PART NO	GS 8220iTCP		
TITLE	POWER CASE					
REF						

1	2	3	4
	REV	DESCRIPTION	DATE
	A	RELEASE TO A	2007/06/01
			TBLE0106

A

GS 8220iTC-P08 PARTS LIST

B

C

D

E

ITEM (項目)	PART NUMBER (零件料號)	SPECIFICATION (規格)	DESCRIPTION (說明)	QUANTITY (數量)
1	NV 00004000503	A06B-6110-H015 (PSM-15I)	電力模組 POWER MODULE	1
2	NV 00004000430	A06B-6111-H015#H550 (SPM-15I)	主軸驅動器 SPD. SERVO DRIVER	1
3	NV 00004000424	A06B-6114-H207 (SVM2-40/40i)	伺服驅動器 SERVO DRIVER	1
4	BL 000000804CE	DDC1-30-K20/22	DDUPLMATIC 動力刀塔驅動器 DDUPLMATIC TURRET DRIVE	1
5	NV 00004000610	RAV-781BYZ-2	突波吸收器 (線間) SURGE ABSORBER	1
6	NV 00004000611	RAV-781BXZ-4	突波吸收器 (線對地) SURGE ABSORBER	1
7	NV 00100160106	LC1D095M7 50/60HZ AC220V	接觸器 MANNETIC CONTACTOR	1
8	NV 00112980101	SQ21150TFL (250V) (MARCON)	火花消除器 SPARK KILLER	2
9	NV 00004000603	A81L-0001-0156	AC 電抗器 AC REACTOR	1
10	NV 00112980208	FN 3258-75A-52	三相濾波器 3 PHASE FILTER	1
11	NV 00004000377	A02B-0309-C001	FANUC DI/DO 單元 FANUC DI/DO UNIT	1
12	NV 001188800	1-14(14 HOLES)	接地銅條 GROUND BAR	1
13	NV 00087760306	S-250-24 DC24V/10A	DC 電源供應器 DC POWER SUPPLY	1
14	BL 00118490043	MR-J2-60D-S24	伺服刀塔控制器 TURRET CONTROLLER	1
15	NV 00100170002	SERIES/6000 C16 (GE)	無熔絲開關 (3P 16A) NO FUSE BREAKER	1
16	NV 00100170001	SERIES/6000 C2 (GE)	無熔絲開關 (3P 2A) NO FUSE BREAKER	1
17	NV 00100170002	SERIES/6000 C16 (GE)	無熔絲開關 (3P 16A) NO FUSE BREAKER (OP)	1
18	NV 00100170019	SERIES/6000 C3 (GE)	無熔絲開關 (2P 3A) NO FUSE BREAKER (OP)	1
19	NV 00096100005	10*38 6A (GOULD)	保險絲 (F1/F2) FUSE	2
20	NV 00096100003	10*38 4A (GOULD)	保險絲 (F3/F4) FUSE	2
21	NV 00096100001	10*38 2A (GOULD)	保險絲 (F5) FUSE	1
22	NV 00096100000	10*38 1A (GOULD)	保險絲 (F8/F9/F10) FUSE	3
23	NV 00011220009	MY2NJ DC24V (OMRON)	繼電器 RELAY	1
24	NV 00011220106	PYF-08AE	繼電器座 RELAY SOCKET	1

F

DRAWN	RACHEL-C	2007-06-01	NC TYPE	Oi-TC	MT TYPE	GS 150/200
CHECK	SUNNY-L	2007-06-01	DWG NO	E01\GS 8220iTC-P09		VERSION:A
APPROVE	SUNNY-L	2007-06-01	PART NO	GS 8220iTCP		
TITLE	POWER CASE BOM					
REF						

1	2	3	4
	REV	DESCRIPTION	DATE
	A	RELEASE TO A	2007/06/01
			ECN. TBLE0106

A

GS 8220iTC-P08 PARTS LIST

B

C

D

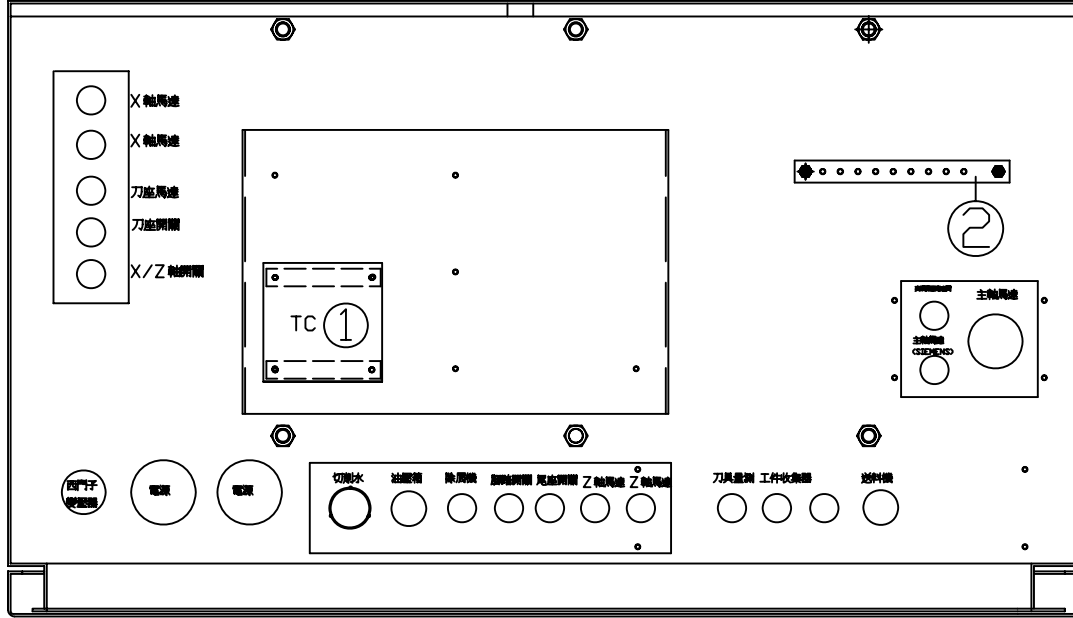
E

ITEM (項目)	PART NUMBER (零件料號)	SPECIFICATION (規格)	DESCRIPTION (說明)	QUANTITY (數量)
25	NV 00100160105	LC1D096F7	電磁接觸器 MAGNETIC CONCTOR	7
26	NV 00112980100	SQ13150TFL (110V) (MARCON)	火花消除器 SPARK KILLER	7
27	NV 00098330019 NV 00098330012	LR3D086 2.5A~4A LR3D0146 7~10A	過載電譯 THERMAL RELAY	1
28	NV 00098330012	LR3D0146 7~10A	過載電譯 THERMAL RELAY	1
29	NV 00098330010	LR3D066 1.0~1.6A	過載電譯 THERMAL RELAY	1
30	NV 00098330012	LR3D0146 7~10A	過載電譯 THERMAL RELAY	1
31	NV 00098330019	LR3D086 2.5A~4A	過載電譯 THERMAL RELAY	1
32	NV 00098330016	LR3D016 0.1~0.16A	過載電譯 THERMAL RELAY	1
33	NV 00112980200	0.47U 47 DM 250VAC (MARCON)	火花消除器 SPARK KILLER	6
34	NV 00102440016	XPS-AF 5130 (TE)	安全模組 SAFTY RELAY	1
35	NV 00004031001	XPS-AC 5121	安全模組 SAFTY RELAY	1
36	NV 00011220001	LY4NJ DC24V (DMRON)	繼電器 RELAY	1
37	NV 00011220011	PTF-14AE	繼電器座 RELAY SOCKET	1
38	NV 00112980001	IN4007	二極體 DIODE	1
39	NV 00093350002	VMC-PW0-003 (DC24V)	整流器組 DIODE	1
40	NV 001188801	1-7 (HOLE)	接地銅條 GROUND BAR	1
41	NV 00117910027	EMG-002M	緊急迴路 EM P.C.B	1
42	NV 00113020001 NV 00113020100	LEGRAND SLDC-B15A (SAN HD)	接線盤 TERMINAL BLOCK	1
43	NV 00118500000	FG-120 41/2" (SAN JUN)	風扇保護網 FAN FINGER GUARD	1
44	NV 00115550201	SJ1238 HA1 SAT AC110V	風扇 FAN	1
45	NV 00118500001	PFG120	過濾網 FIELTER NET	1
46	NV 00113021000	春日型 (山河)	鉸軌 GUIDE	4
47	NV 00108211000	70mm*100mm	絕緣配線槽 WIRING DUCT	2
48	NV 00108211001	65mm*65mm	絕緣配線槽 WIRING DUCT	1

F

DRAWN	RACHEL-C	2007-06-01	NC TYPE	Oi-TC	MT TYPE	GS 150/200
CHECK	SUNNY-L	2007-06-01	DWG NO	E01\GS 8220iTC-P10		VERSION:A
APPROVE	SUNNY-L	2007-06-01	PART NO	GS 8220iTCP		
TITLE	POWER CASE BOM					
REF						

REV	DESCRIPTION	DATE	ECN.
A	RELEASE TO A	2007/06/01	TBLE0106

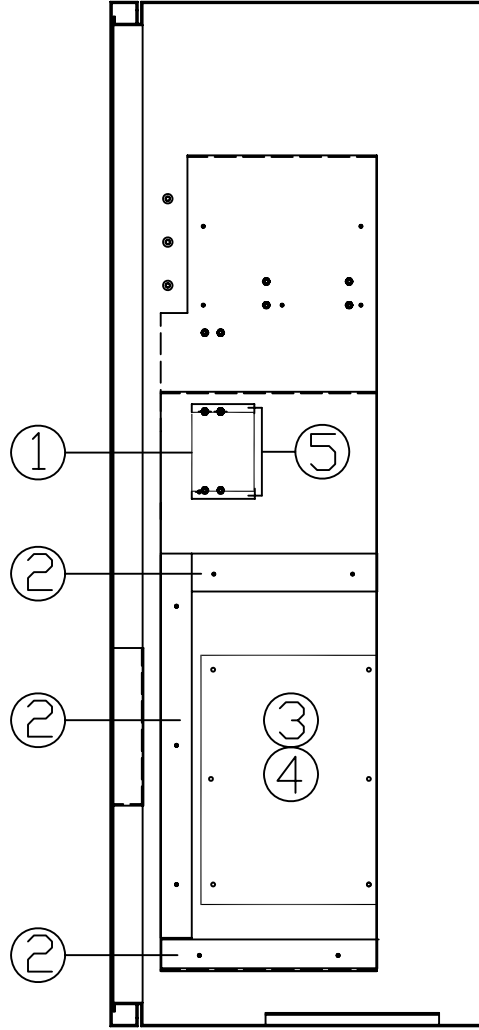


GS 8220iTC-P12 PARTS LIST

ITEM (項目)	PART NUMBER (零件料號)	SPECIFICATION (規格)	DESCRIPTION (說明)	QUANTITY (數量)
1	NV 00087760006	0-110V,0-19-24V, 0-20-24V	變壓器 TRANSFORMER	1
2	NV 001188800	1-14(14 HOLES)	接地銅條 GROUND BAR	1

DRAWN	RACHEL-C	2007-06-01	NC TYPE	Oi-TC	MT TYPE	GS 150/200
CHECK	SUNNY-L	2007-06-01	DWG NO	E01\GS 8220iTC-P12	VERSION:A	
APPROVE	SUNNY-L	2007-06-01	PART NO	GS 8220iTCP		
TITLE	POWER CASE BOTTOM					
REF						

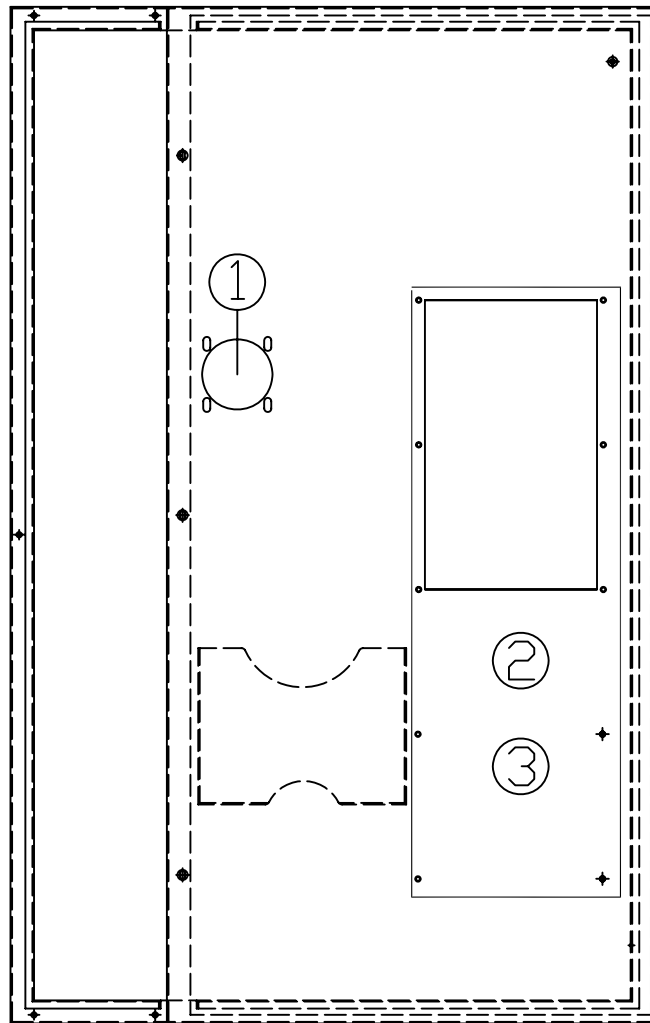
REV	DESCRIPTION	DATE	ECN.
A	RELEASE TO A	2007/06/01	TBLE0106



GS 8220iTC-P13 PARTS LIST				
ITEM (項目)	PART NUMBER (零件料號)	SPECIFICATION (規格)	DESCRIPTION (說明)	QUANTITY (數量)
1	NV 00100170009	T0-100EC 3P100A	無熔絲開關 NO FUSE BREAKER	1
2	NV 00108211002	45mm*65mm	絕緣配線槽 WIRING DUCT	3
3	NV 00117910022	VMC-CRI0-001	繼電器板 RELAY P.C.B (OP)	1
4	BL 00117910007	BL-CRI0-003	繼電器板 RELAY P.C.B	1
5	NV 00108211101	V89447	NFB 保護蓋 NFB COVER	2

DRAWN	RACHEL-C	2007-06-01	NC TYPE	Oi-TC	MT TYPE	GS 150/200
CHECK	SUNNY-L	2007-06-01	DWG NO	E01\GS 8220iTC-P13	VERSION:A	
APPROVE	SUNNY-L	2007-06-01	PART NO	GS 8220iTCP		
TITLE	POWER CASE LEFT SIDE					
REF						

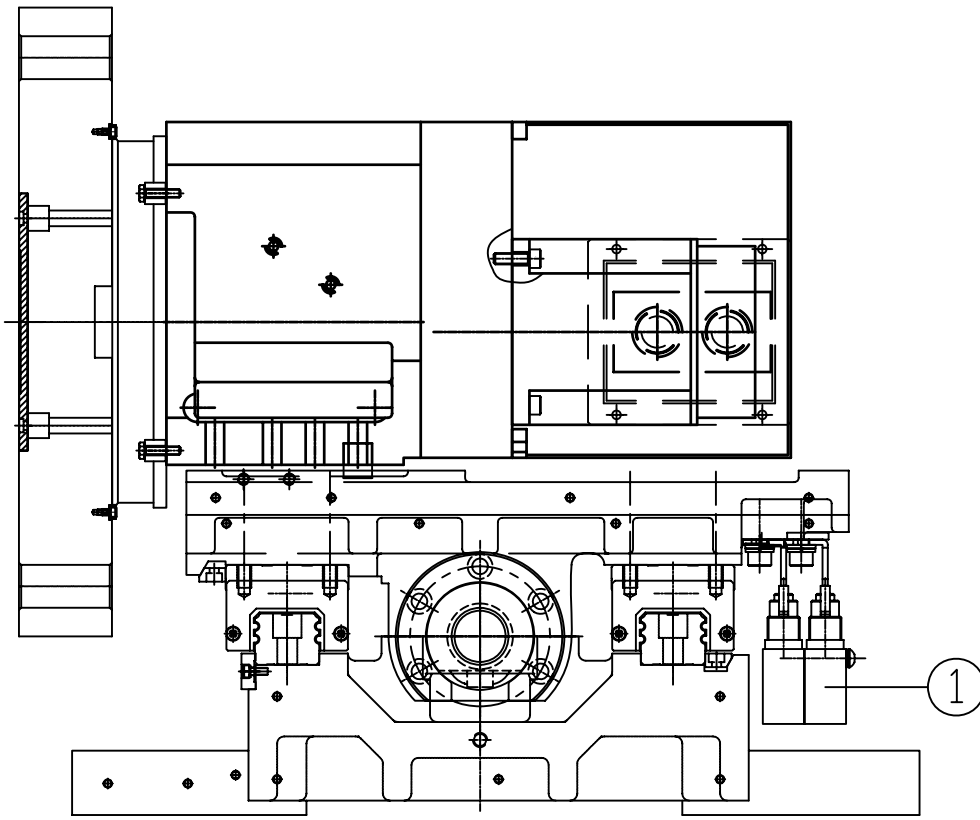
REV	DESCRIPTION	DATE	ECN.
A	RELEASE TO A	2007/06/01	TBLE0106



GS 8220iTC-P14 PARTS LIST				
ITEM (項目)	PART NUMBER (零件料號)	SPECIFICATION (規格)	DESCRIPTION (說明)	QUANTITY (數量)
1	NV 00103590000	FG-23CA	NFB 把手 NFB HANDLE	1
2	NV 00115550000	C&H-3AR(KAUKAN)	熱交換器 COOLING AND HEAT EXCHANGE UNIT	1
3	NV 00034120107	HA-50AF(HABOR)	冷凍機 CHILLER (DP)	1

F	DRAWN	RACHEL-C	2007-06-01	NC TYPE	Oi-TC	MT TYPE	GS 150/200
	CHECK	SUNNY-L	2007-06-01	DWG NO	E01\GS 8220iTC-P14	VERSION:A	
	APPROVE	SUNNY-L	2007-06-01	PART NO	GS 8220iTCP		
	TITLE	POWER CASE DOOR					
	REF						

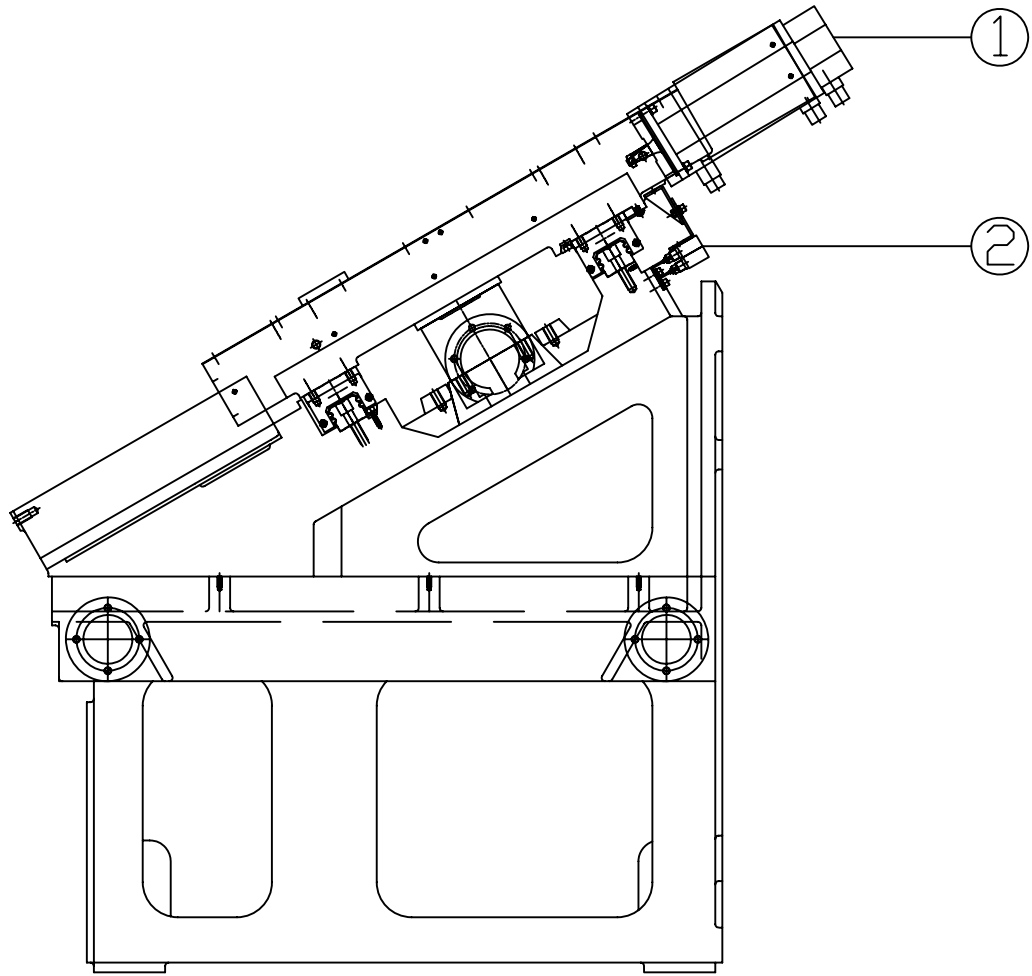
REV	DESCRIPTION	DATE	ECN.
A	RELEASE TO A	2007/06/01	TBLE0106



GS 8220iTC-P15 PARTS LIST				
ITEM (項目)	PART NUMBER (零件料號)	SPECIFICATION (規格)	DESCRIPTION (說明)	QUANTITY (數量)
1	NV 00102440000	SL1-A(YAMATAKE)	X AXSI REF/EM SWITCH	2

F	DRAWN	RACHEL-C	2007-06-01	NC TYPE	01-TC	MT TYPE	GS 200/66,GS 250
	CHECK	SUNNY-L	2007-06-01	DWG NO	E01\GS 8220iTC-P15		VERSION:A
	APPROVE	SUNNY-L	2007-06-01	PART NO	GS 8220iTCP		
	TITLE	X AXIS					
REF							

REV	DESCRIPTION	DATE	ECN.
A	RELEASE TO A	2007/06/01	TBLE0106

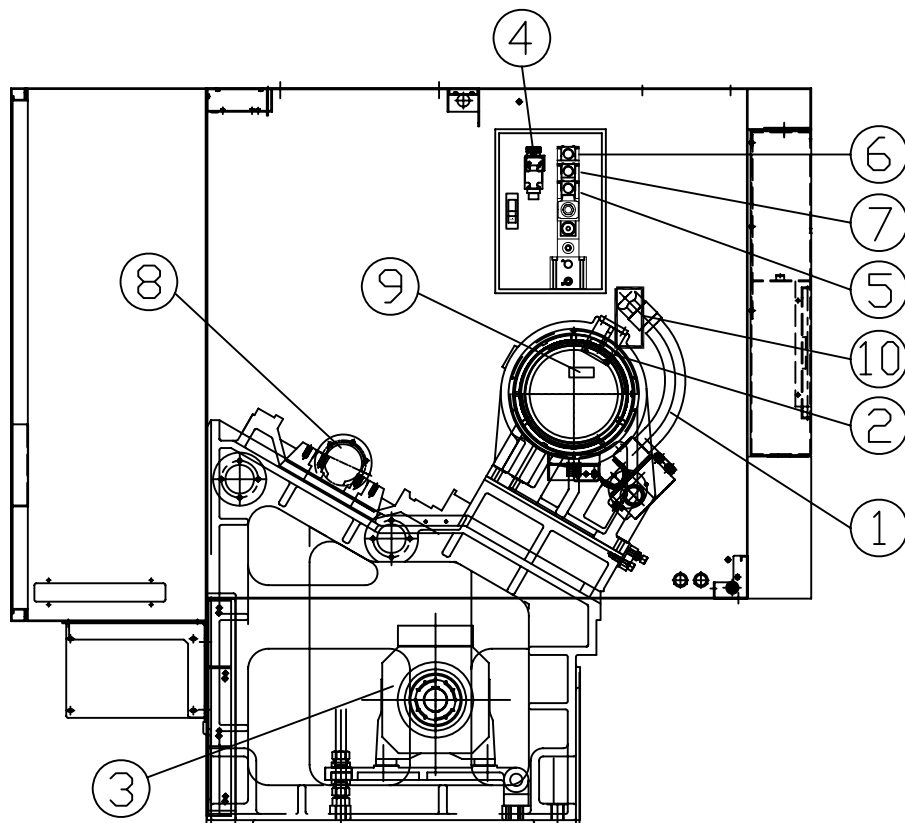


GS 8220iTC-P16 PARTS LIST

ITEM (項目)	PART NUMBER (零件料號)	SPECIFICATION (規格)	DESCRIPTION (說明)	QUANTITY (數量)
1	NV 00004000024	A06B-0227-B001 A8/3000i (FANUC)	X AXIS SERVO MOTOR	1
2	NV 00102440000	SL1-A(YAMATAKE)	Z AXSI REF/EM SWITCH	2

DRAWN	RACHEL-C	2007-06-01	NC TYPE	0i-TC	MT TYPE	GS 200/66,GS 250
CHECK	SUNNY-L	2007-06-01	DWG NO	E01\GS 8220iTC-P16		VERSION:A
APPROVE	SUNNY-L	2007-06-01	PART NO	GS 8220iTCP		
TITLE	Z AXIS					
REF						

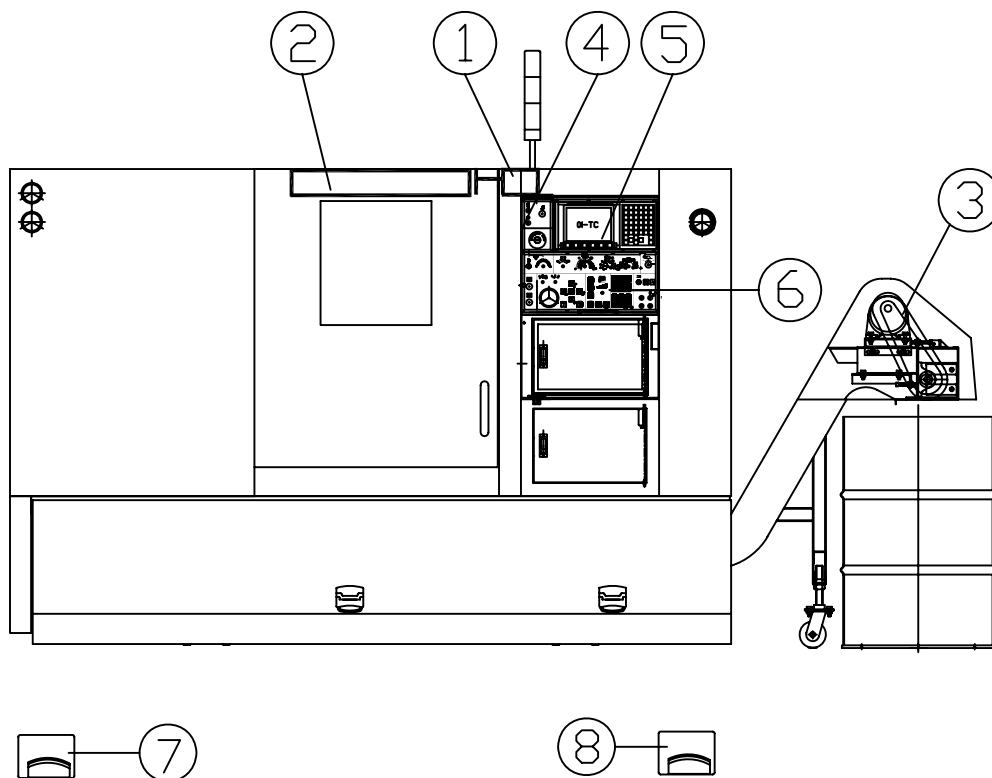
REV	DESCRIPTION	DATE	ECN.
A	RELEASE TO A	2007/06/01	TBLE0106



GS 8220iTC-P17 PARTS LIST				
ITEM (項目)	PART NUMBER (零件料號)	SPECIFICATION (規格)	DESCRIPTION (説明)	QUANTITY (數量)
1	BL 00028340401	A-2197-2006	TOOL PROBE ARM	1
2	NV 00081480001	MSK-015-1024-08 (SUMTAK)	SPD. ROT. SPEED SENSOR	1
3	BL 00004000436	A06B-1451-B253 (A22P/6000i)	SPINDLE MOTOR (for Cs axis)	1
3-1	BL 00004000437	A06B-1451-B250 (A22P/6000i)	SPINDLE MOTOR	1
4			CHUCK PRESSURE DETECT	1
5			CHUCK INWARD/OUTWARD SOLENOID	1
6			SPINDLE LOCK SOLENOID	1
7			SPINDLE PRELOCK SOLENOID	1
8	NV 00004000026	A06B-0243-B101 A12/3000i	Z AXIS SERVO MOTOR	1
9	NV 00028340012	E2E-X3D2-N (OMRON)	PROXIMITY SWITCH (FOR CE)	2
10	NV 00102440020	XCSPA791+XCSZ15 (TE)	DOOR SWITCH (FOR CE)	1

DRAWN	RACHEL-C	2007-06-01	NC TYPE	01-TC	MT TYPE	GS 200/66,GS 250
CHECK	SUNNY-L	2007-06-01	DWG NO	E01\GS 8220iTC-P17		VERSION:A
APPROVE	SUNNY-L	2007-06-01	PART NO	GS 8220iTCP		
TITLE	SPINDLE MOTOR/CHUCK SOLENOID					
REF						

REV	DESCRIPTION	DATE	ECN.
A	RELEASE TO A	2007/06/01	TBLE0106

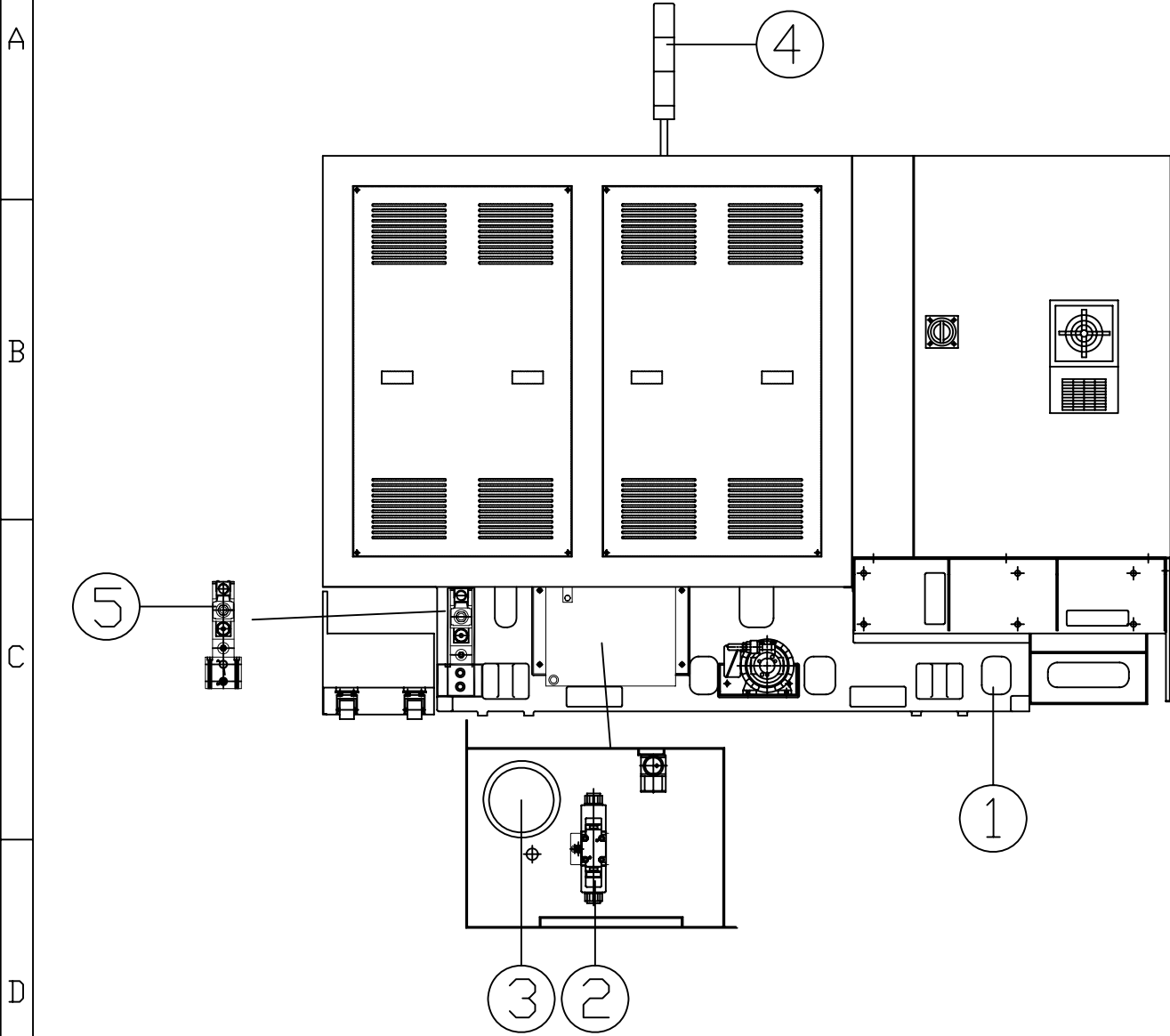


GS 8220iTC-P18 PARTS LIST

ITEM (項目)	PART NUMBER (零件料號)	SPECIFICATION (規格)	DESCRIPTION (説明)	QUANTITY (數量)
1-1	BL 00102440001	MP1-628AS-M	DOOR SWITCH	1
1-2	BL 00102440000	TP3-41421A-024M+ 070046	DOOR SWITCH (FOR CE)	1
2	NV 00089150004	AC24V 36W	WORK LAMP	1
3		3 PHASE 200W	CHIP CONVEYOR MOTOR	1
4	BL 000327901B	ASSM	NC POWER PANEL	1
5	BL 00004000200	A02B-0279-C081#TA 8.4"LCD	LCD/MDI UNIT	1
6	BL 000327906 BL 000327907	FDR WITHOUT POWER TOOLING FDR WITH POWER TOOLING	MAIN OPERATION PAENL (BL-DP01-003)	1
7	BL 00102240002	IP7007 (PEDALIERA 1NA LENTO)	CHUCK FOOT SWITCH	1
8	BL 00102240002	IP7007 (PEDALIERA 1NA LENTO)	TAILSTOCK BODY SHAFT FOOT SWITCH	2

DRAWN	RACHEL-C	2007-06-01	NC TYPE	01-TC	MT TYPE	GS 200/66,GS 250
CHECK	SUNNY-L	2007-06-01	DWG NO	E01\GS 8220iTC-P18		VERSION:A
APPROVE	SUNNY-L	2007-06-01	PART NO	GS 8220iTCP		
TITLE	FRONT VIEW					
REF						

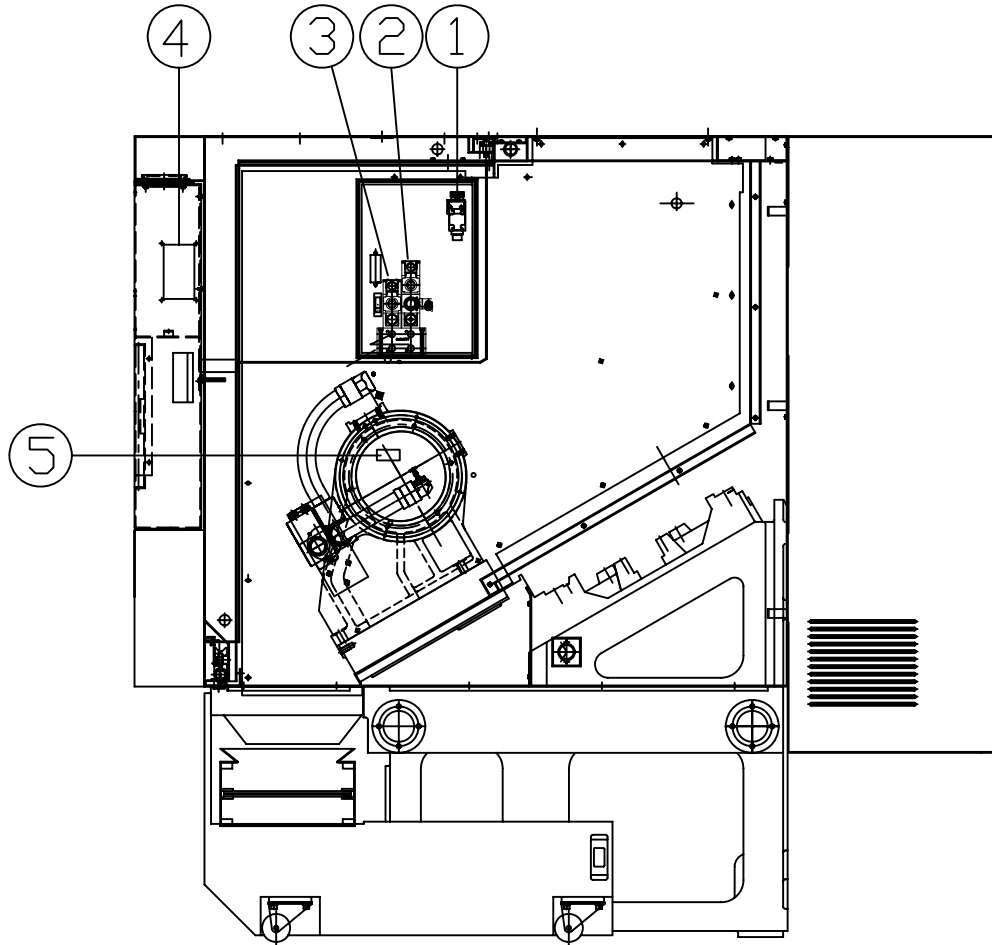
REV	DESCRIPTION	DATE	ECN.
A	RELEASE TO A	2007/06/01	TBLE0106



GS 8220iTC-P19 PARTS LIST				
ITEM (項目)	PART NUMBER (零件料號)	SPECIFICATION (規格)	DESCRIPTION (說明)	QUANTITY (數量)
1	BL 00033250103	MTH2-30/3 [GRUNDFOS]	COOLANT MOTOR	1
2			TURRET CLAMP SOLENOID	1
3		3 PHASE 2HP	HYD. PUMP MOTOR	1
4-1	BL 00120450200	DC24V (G/R/Y/BZ)	TOWER LIGHT & BUZZER (3 COLOR) (OP)	1
4-2	NV 00120450202	KPE-650S DC24V 30mm	BUZZER<STAND>	1
5			TAILSTOCK BODY SOLENOID	1

DRAWN	RACHEL-C	2007-06-01	NC TYPE	Oi-TC	MT TYPE	GS 200/66,GS 250
CHECK	SUNNY-L	2007-06-01	DWG NO	E01\GS 8220iTC-P19		VERSION:A
APPROVE	SUNNY-L	2007-06-01	PART NO	GS 8220iTCP		
TITLE	REAR VIEW					
REF						

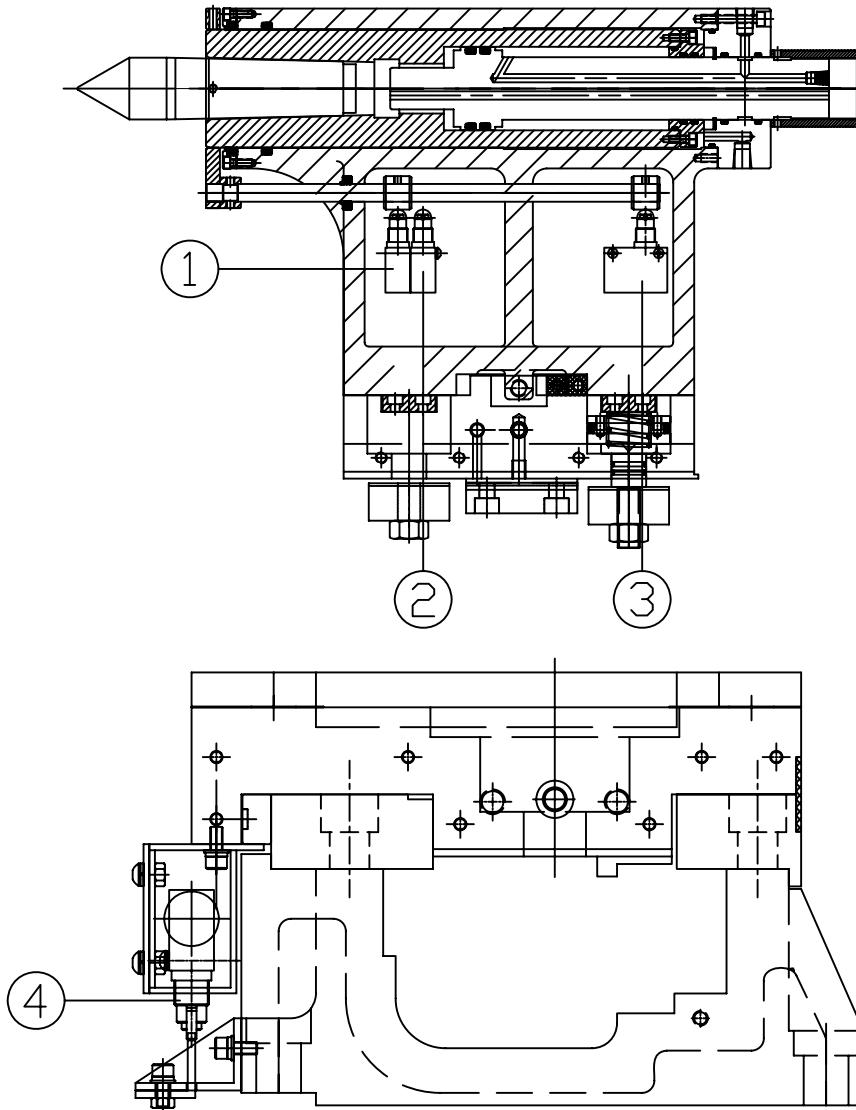
REV	DESCRIPTION	DATE	ECN.
A	RELEASE TO A	2007/06/01	TBLE0106



GS 8220iTC-P20 PARTS LIST				
ITEM (項目)	PART NUMBER (零件料號)	SPECIFICATION (規格)	DESCRIPTION (說明)	QUANTITY (數量)
1			TAILSTOCK BODY FORWARD END DETECT	1
2			TAILSTOCK BODY SHAFT SOLENOID	1
3			TAILSTOCK SHAFT SLOW DOWN SOLENOID	1
4	BL 0003011I32X	ASSM	RS232C INTERFACE	1
5	NV 00028340012	E2E-X3D2-N (OMRON)	PROXIMITY SWITCH (FOR CE)	2

DRAWN	RACHEL-C	2007-06-01	NC TYPE	01-TC	MT TYPE	GS 200/66,GS 250
CHECK	SUNNY-L	2007-06-01	DWG NO	E01\GS 8220iTC-P20	VERSION:A	
APPROVE	SUNNY-L	2007-06-01	PART NO	GS 8220iTCP		
TITLE	RIGHT SIDE					
REF						

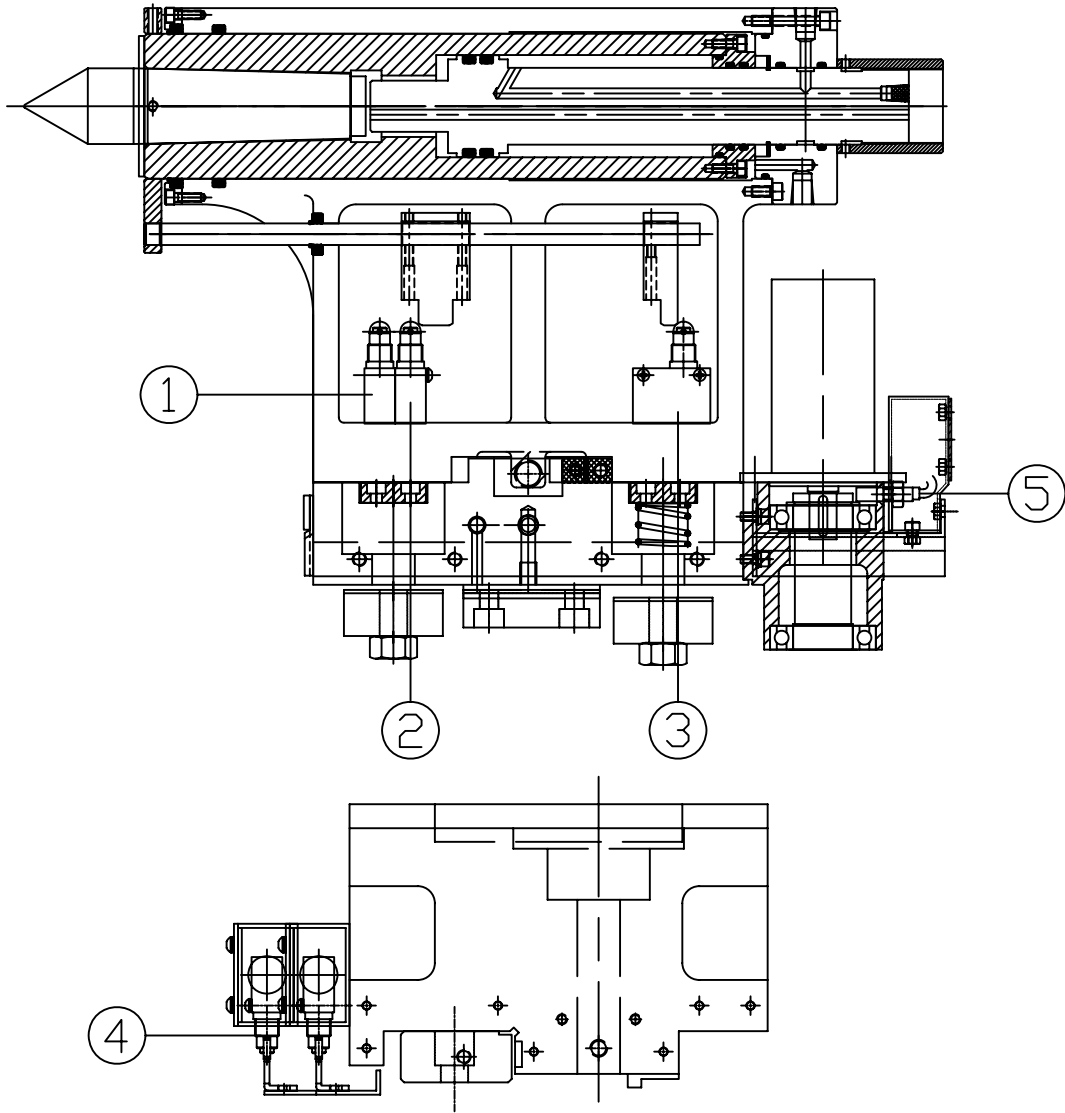
REV	DESCRIPTION	DATE	ECN.
A	RELEASE TO A	2007/06/01	TBLE0106



GS 8220iTC-P21 PARTS LIST				
ITEM (項目)	PART NUMBER (零件料號)	SPECIFICATION (規格)	DESCRIPTION (說明)	QUANTITY (數量)
1	NV 00102440001	SL1-D(YAMATAKE)	TAILSTOCK SHAFT FORWARD END SWITCH	1
2	NV 00102440001	SL1-D (YAMATAKE)	TAILSTOCK SHAFT SLOW DOWN SWITCH	1
3	NV 00102440000	SL1-A (YAMATAKE)	TAILSTOCK SHAFT RETRACT SWITCH	1
4	NV 00102440000	SL1-A(YAMATAKE)	TAILSTOCK BODY FOR/REV SWITCH	2

DRAWN	RACHEL-C	2007-06-01	NC TYPE	Oi-TC	MT TYPE	GS 200/66,GS 250
CHECK	SUNNY-L	2007-06-01	DWG NO	E01\GS 8220iTC-P21		VERSION:A
APPROVE	SUNNY-L	2007-06-01	PART NO	GS 8220iTCP		
TITLE	TAILBODY_LIMIT SW.					
REF						

REV	DESCRIPTION	DATE	ECN.
A	RELEASE TO A	2007/06/01	TBLE0106



GS 8220iTC-P21A PARTS LIST				
ITEM (項目)	PART NUMBER (零件料號)	SPECIFICATION (規格)	DESCRIPTION (說明)	QUANTITY (數量)
1	NV 00102440001	SL1-D(YAMATAKE)	TAILSTOCK SHAFT FORWARD END SWITCH	1
2	NV 00102440001	SL1-D (YAMATAKE)	TAILSTOCK SHAFT SLOW DOWN SWITCH	1
3	NV 00102440000	SL1-A (YAMATAKE)	TAILSTOCK SHAFT RETRACT SWITCH	1
4	NV 00102440000	SL1-A(YAMATAKE)	TAILSTOCK BODY FOR/REV SWITCH	2
5	NV 00028340019	9981-2000	TAILSTOCK BODY FOR/REV COUNTER	1

DRAWN	RACHEL-C	2007-06-01	NC TYPE	Oi-TC	MT TYPE	GS 200/66L,GS 250L
CHECK	SUNNY-L	2007-06-01	DWG NO	E01\GS 8220iTC-P21A	VERSION:A	
APPROVE	SUNNY-L	2007-06-01	PART NO	GS 8220iTCP		
TITLE	TAILBODY_LIMIT SW.					
REF						

1

2

3

4

REV	DESCRIPTION	DATE	ECN.
A	RELEASE TO A	2007/06/01	TBLE0106

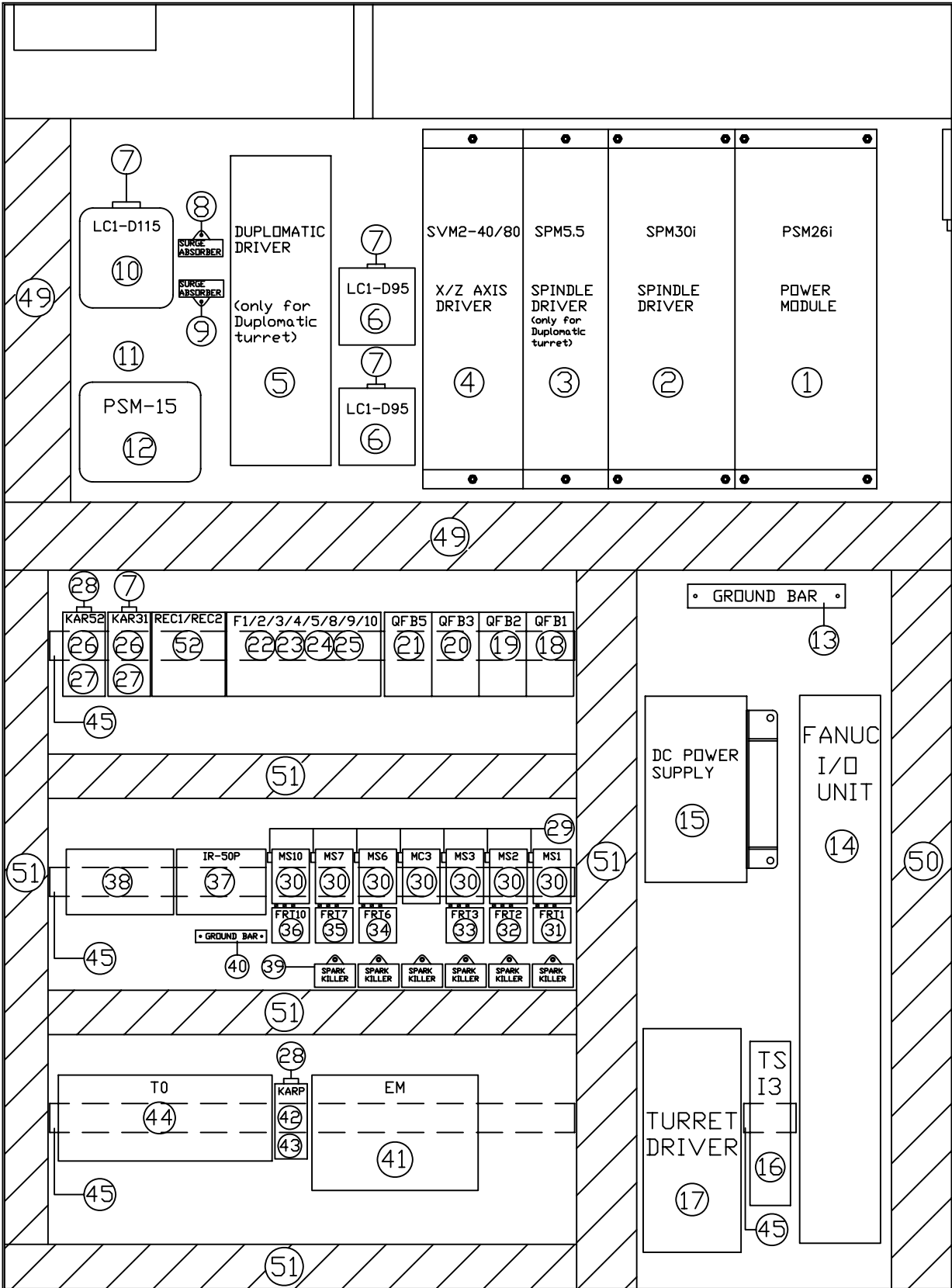
A

B

C

D

E



DRAWN	RACHEL-C	2007-06-01	NC TYPE	Oi-TC	MT TYPE	GS 200/66,GS 250
CHECK	SUNNY-L	2007-06-01	DWG NO	E01\GS 8220iTC-P22	VERSION:A	
APPROVE	SUNNY-L	2007-06-01	PART NO	GS 8220iTCP		
TITLE	POWER CASE					
REF						

1	2	3	4
REV	DESCRIPTION		DATE
A	RELEASE TO A		2007/06/01
			TBLE0106

A

GS 8220iTC-P22 PARTS LIST

B

C

D

E

ITEM (項目)	PART NUMBER (零件料號)	SPECIFICATION (規格)	DESCRIPTION (說明)	QUANTITY (數量)
1	NV 00004000504	A06B-6110-H026 (PSM-26i)	電力模組 POWER MODULE	1
2	NV 00004000435	A06B-6111-H030#H550 (SPM-30i)	主軸驅動器 SPD. SERVO DRIVER	1
3	NV 00004000432	A06B-6111-H006#H550 (SPM-5.5i)	主軸驅動器 SPD. SERVO DRIVER	1
4	NV 00004000425	A06B-6114-H208 (SVM2-40/80i)	伺服驅動器 SERVO DRIVER	1
5	BL 000000804CE	DDC1-30-K20/22	DOUPLMATIC 動力刀塔驅動器 DOUPLMATIC TURRET DRIVE	1
6	NV 00100160106	LC1D095M7 50/60HZ AC220V	接觸器 MANNETIC CONTACTOR	2
7	NV 00112980101	SQ21150TFL (250V) (MARCON)	火花消除器 SPARK KILLER	4
8	NV 00004000610	RAV-781BYZ-2	突波吸收器 (線間) SURGE ABSORBER	1
9	NV 00004000611	RAV-781BXZ-4	突波吸收器 (線對地) SURGE ABSORBER	1
10	NV 00100160107	LC1D0115M7 50/60HZ	接觸器 MANNETIC CONTACTOR	1
11	NV 00112980208	FN 3258-75A-52	三相濾波器 3 PHASE FILTER	1
12	NV 00004000604	A81L-0001-0157	AC 電抗器 AC REACTOR	1
13	NV 001188800	1-14(14 HOLES)	接地銅條 GROUND BAR	1
14	NV 00004000377	A02B-0309-C001	FANUC DI/DO 單元 FANUC DI/DO UNIT	1
15	NV 00087760306	S-250-24 DC24V/10A	DC 電源供應器 DC POWER SUPPLY	1
16	BL 00028340400	TSI3 A-2181-0465	刀具量測控制器 TOOL PROBE CONTROLLER (OP)	1
17	BL 00118490043	MR-J2-60D-S24	伺服刀塔控制器 TURRET CONTROLLER	1
18	NV 00100170002	SERIES/6000 C16 (GE)	無熔絲開關 (3P 16A) NO FUSE BREAKER	1
19	NV 00100170001	SERIES/6000 C2 (GE)	無熔絲開關 (3P 2A) NO FUSE BREAKER	1
20	NV 00100170002	SERIES/6000 C16 (GE)	無熔絲開關 (3P 16A) NO FUSE BREAKER (OP)	1
21	NV 00100170019	SERIES/6000 C3 (GE)	無熔絲開關 (2P 3A) NO FUSE BREAKER (OP)	1
22	NV 00096100005	10*38 6A (GOULD)	保險絲 (F1/F2) FUSE	2
23	NV 00096100003	10*38 4A (GOULD)	保險絲 (F3/F4) FUSE	2
24	NV 00096100001	10*38 2A (GOULD)	保險絲 (F5) FUSE	1

F

DRAWN	RACHEL-C	2007-06-01	NC TYPE	Oi-TC	MT TYPE	GS 200/66,GS 250
CHECK	SUNNY-L	2007-06-01	DWG NO	E01\GS 8220iTC-P23		VERSION:A
APPROVE	SUNNY-L	2007-06-01	PART NO	GS 8220iTCP		
TITLE	POWER CASE BOM					
REF						

1	2	3	4
	REV	DESCRIPTION	DATE
	A	RELEASE TO A	2007/06/01
			TBLE0106

A

GS 8220iTC-P22 PARTS LIST

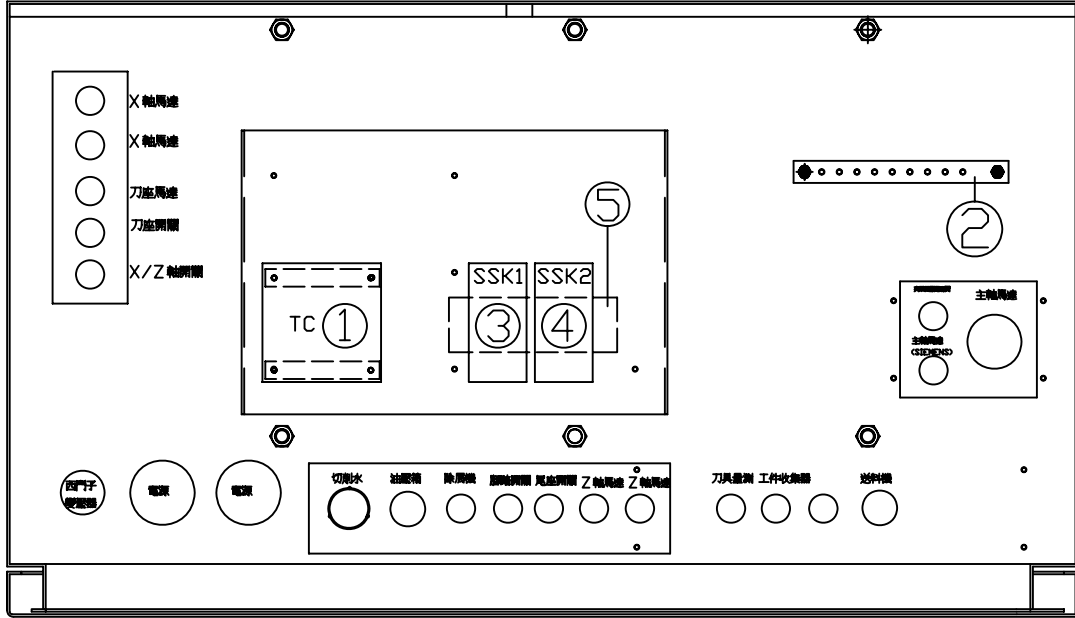
B

ITEM (項目)	PART NUMBER (零件料號)	SPECIFICATION (規格)	DESCRIPTION (說明)	QUANTITY (數量)
25	NV 00096100000	10*38 1A (GOULD)	保險絲 (F8/F9/F10) FUSE	3
26	NV 00011220009	MY2NJ DC24V (OMRON)	繼電器 RELAY	2
27	NV 00011220106	PYF-08AE	繼電器座 RELAY SOCKET	2
28	NV 00112980001	IN4007	二極體 DIODE	2
29	NV 00112980100	SQ13150TFL (110V) (MARCON)	火花消除器 SPARK KILLER	7
30	NV 00100160105	LC1D096F7	電磁接觸器 MAGNETIC CONTACTOR	7
31	NV 00098330019 NV 00098330012	LR3D086 2.5A~4A LR3D0146 7~10A	過載電器 THERMAL RELAY	1
32	NV 00098330012	LR3D0146 7~10A	過載電器 THERMAL RELAY	1
33	NV 00098330010	LR3D066 1.0~1.6A	過載電器 THERMAL RELAY	1
34	NV 00098330012	LR3D0146 7~10A	過載電器 THERMAL RELAY	1
35	NV 00098330019	LR3D086 2.5A~4A	過載電器 THERMAL RELAY	1
36	NV 00098330016	LR3D016 0.1~0.16A	過載電器 THERMAL RELAY	1
37	BL 00117910033	IR-50P	轉接板 TERMINAL P.C.B	1
38	BL 00004000332	A20B-2002-0521	I/O 卡 I/O CARD	1
39	NV 00112980200	0.47U 47 OM 250VAC (MARCON)	火花消除器 SPARK KILLER	6
40	NV 001188801	1-7 (HOLE)	接地銅條 GROUND BAR	1
41	NV 00117910027	EMG-002M	緊急迴路 EM P.C.B	1
42	NV 00011220001	LY4NJ DC24V (OMRON)	繼電器 RELAY	1
43	NV 00011220011	PTF-14AE	繼電器座 RELAY SOCKET	1
44	NV 00113020001 NV 00113020100	LEGRAND SLDC-B15A (SAN HD)	接線盤 TERMINAL BLOCK	1
45	NV 00113021000	春日型 (山河)	鉸軌 GUIDE	4
46	NV 00118500000	FG-120 41/2" (SAN JUN)	風扇保護網 FAN FINGER GUARD	1
47	NV 00115550201	SJ1238 HA1 SAT AC110V	風扇 FAN	1
48	NV 00118500001	PFG120	過濾網 FIELTER NET	1

F

DRAWN	RACHEL-C	2007-06-01	NC TYPE	Oi-TC	MT TYPE	GS 200/66,GS 250
CHECK	SUNNY-L	2007-06-01	DWG NO	E01\GS 8220iTC-P24	VERSION:A	
APPROVE	SUNNY-L	2007-06-01	PART NO	GS 8220iTCP		
TITLE	POWER CASE BOM					
REF						

REV	DESCRIPTION	DATE	ECN.
A	RELEASE TO A	2007/06/01	TBLE0106

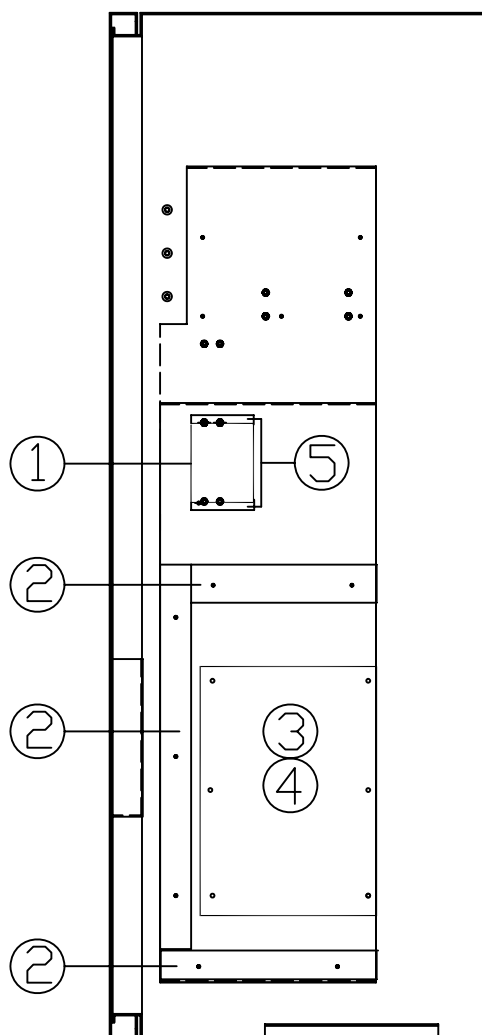


GS 8220iTC-P26 PARTS LIST

ITEM (項目)	PART NUMBER (零件料號)	SPECIFICATION (規格)	DESCRIPTION (說明)	QUANTITY (數量)
1	NV 00087760006	0-110V,0-19-24V, 0-20-24V	變壓器 TRANSFORMER	1
2	NV 001188800	1-14(14 HOLES)	接地銅條 GROUND BAR	1
3	NV 00004031001	XPS-AC 5121	安全模組 SAFTY RELAY	1
4	NV 00102440016	XPS-AF 5130 (TE)	安全模組 SAFTY RELAY	1
5	NV 00113021000	春日型 (山河)	鉸軌 GUIDE	1

DRAWN	RACHEL-C	2007-06-01	NC TYPE	Oi-TC	MT TYPE	GS 200/66,GS 250
CHECK	SUNNY-L	2007-06-01	DWG NO	E01\GS 8220iTC-P26		VERSION:A
APPROVE	SUNNY-L	2007-06-01	PART NO	GS 8220iTCP		
TITLE	POWER CASE BOTTOM					
REF						

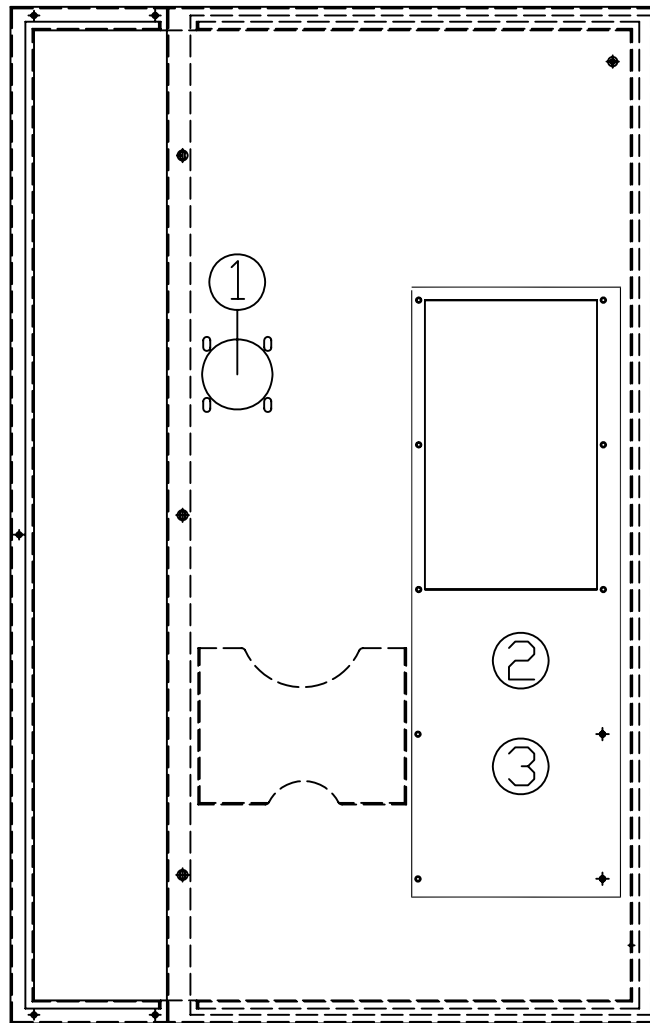
REV	DESCRIPTION	DATE	ECN.
A	RELEASE TO A	2007/06/01	TBLE0106



GS 8220iTC-P27 PARTS LIST				
ITEM (項目)	PART NUMBER (零件料號)	SPECIFICATION (規格)	DESCRIPTION (說明)	QUANTITY (數量)
1	NV 00100170000	T0-225E 3P 125A	無熔絲開關 NO FUSE BREAKER	1
2	NV 00108211002	45mm*65mm	絕緣配線槽 WIRING DUCT	3
3	NV 00117910022	VMC-CRI0-001	繼電器板 RELAY P.C.B (OP)	1
4	BL 00117910007	BL-CRI0-003	繼電器板 RELAY P.C.B	1
5	NV 00108211101	V89447	NFB 保護蓋 NFB COVER	2

DRAWN	RACHEL-C	2007-06-01	NC TYPE	Oi-TC	MT TYPE	GS 200/66,GS 250
CHECK	SUNNY-L	2007-06-01	DWG NO	E01\GS 8220iTC-P27	VERSION:A	
APPROVE	SUNNY-L	2007-06-01	PART NO	GS 8220iTCP		
TITLE	POWER CASE LEFT SIDE					
REF						

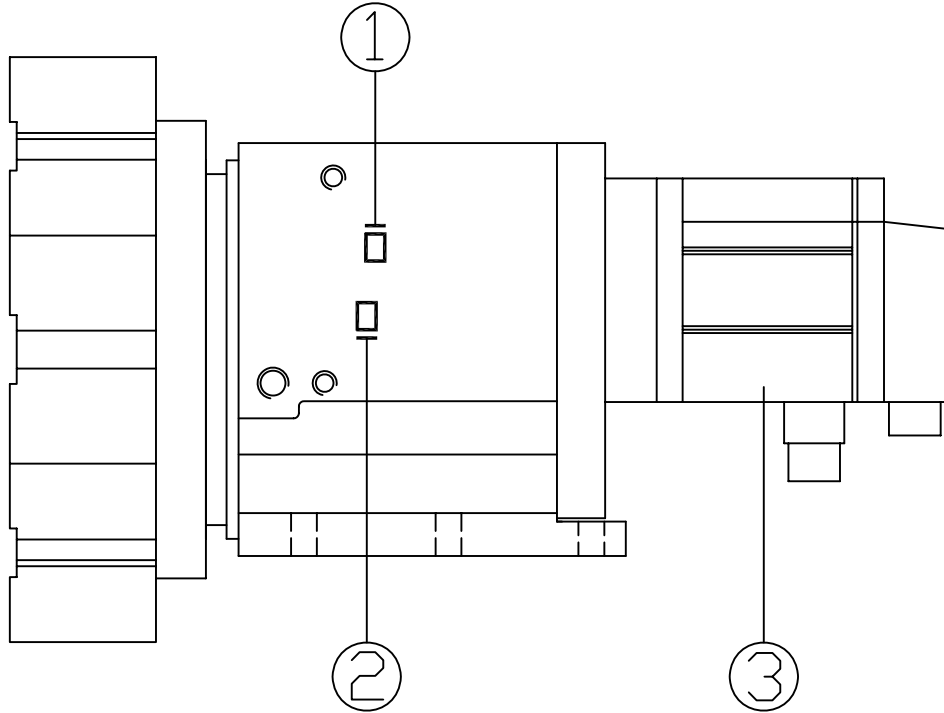
REV	DESCRIPTION	DATE	ECN.
A	RELEASE TO A	2007/06/01	TBLE0106



GS 8220iTC-P28 PARTS LIST				
ITEM (項目)	PART NUMBER (零件料號)	SPECIFICATION (規格)	DESCRIPTION (說明)	QUANTITY (數量)
1	NV 00103590000	FG-23CA	NFB 把手 NFB HANDLE	1
2	NV 00115550000	C&H-3AR(KAUKAN)	熱交換器 COOLING AND HEAT EXCHANGE UNIT	1
3	NV 00034120107	HA-50AF(HABOR)	冷凍機 CHILLER (DP)	1

DRAWN	RACHEL-C	2007-06-01	NC TYPE	Oi-TC	MT TYPE	GS 200/66,GS 250
CHECK	SUNNY-L	2007-06-01	DWG NO	E01\GS 8220iTC-P28	VERSION:A	
APPROVE	SUNNY-L	2007-06-01	PART NO	GS 8220iTCP		
TITLE	POWER CASE DOOR					
REF						

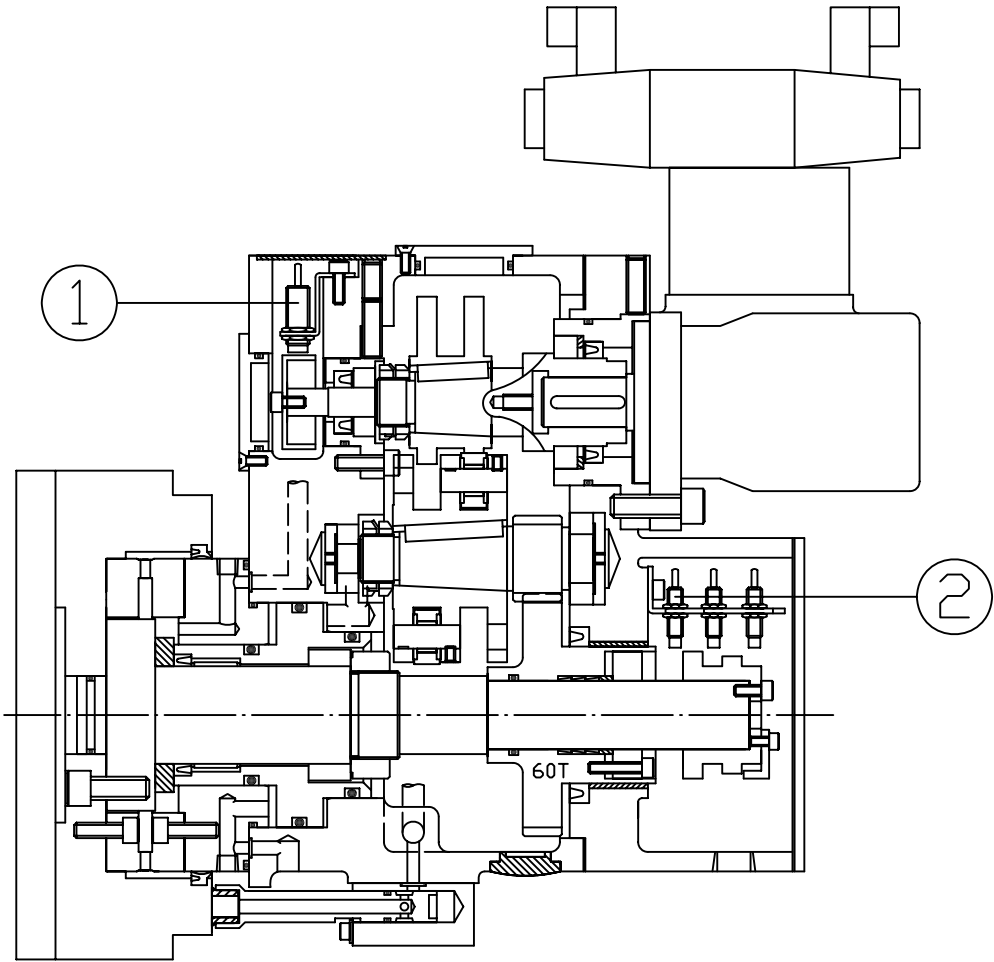
REV	DESCRIPTION	DATE	ECN.
A	RELEASE TO A	2007/06/01	TBLE0106



GS 8220iTC-P29 PARTS LIST				
ITEM (項目)	PART NUMBER (零件料號)	SPECIFICATION (規格)	DESCRIPTION (說明)	QUANTITY (數量)
1	BL 00028340000	E2E-X2D1-N	CLAMP SENSOR	1
2	BL 00028340000	E2E-X2D1-N	UNCLAMP SENSOR	1
3	BL 00004030000	HC-SF53	TURRET SERVO MOTOR	1

DRAWN	RACHEL-C	2007-06-01	NC TYPE	Oi-TC	MT TYPE	GS SERIES
CHECK	SUNNY-L	2007-06-01	DWG NO	E01\GS 8220iTC-P29	VERSION:A	
APPROVE	SUNNY-L	2007-06-01	PART NO	GS 8220iTCP		
TITLE	LIO SHING SERVO TURRET					
REF						

REV	DESCRIPTION	DATE	ECN.
A	RELEASE TO A	2007/06/01	TBLE0106

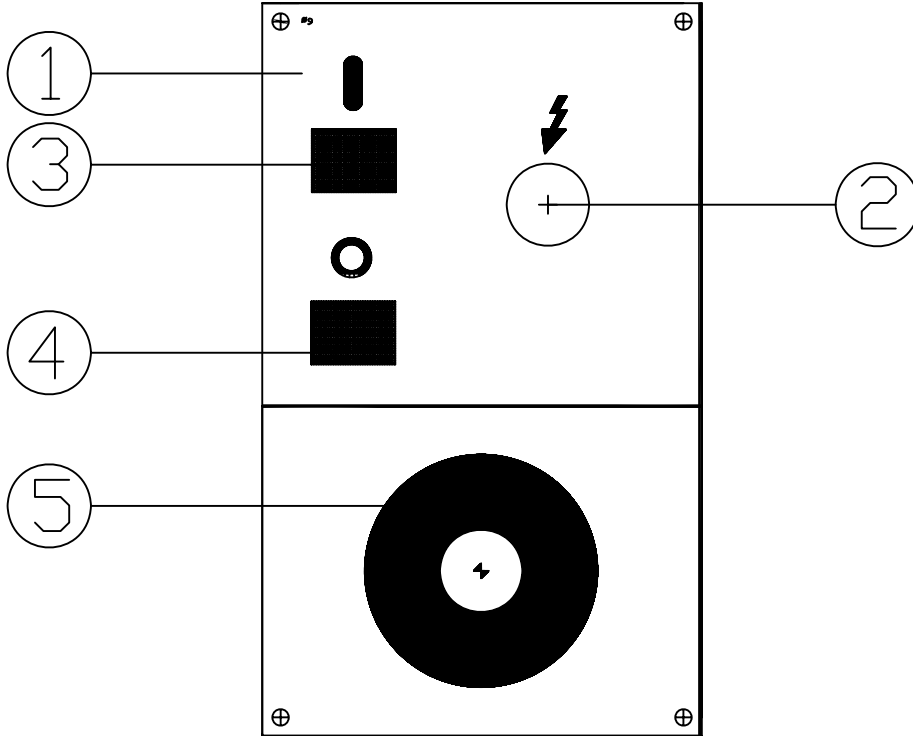


GS 8220iTC-P30 PARTS LIST

ITEM (項目)	PART NUMBER (零件料號)	SPECIFICATION (規格)	DESCRIPTION (說明)	QUANTITY (數量)
1	BL 00028340001	E2E-X1R5F1	PROXIMITY SWITCH	1
2	BL 00028340001	E2E-X1R5F1	PROXIMITY SWITCH	4

DRAWN	RACHEL-C	2007-06-01	NC TYPE	Oi-TC	MT TYPE	GS SERIES
CHECK	SUNNY-L	2007-06-01	DWG NO	E01\GS 8220iTC-P30		VERSION:A
APPROVE	SUNNY-L	2007-06-01	PART NO	GS 8220iTCP		
TITLE	LIO SHING HYDRAULIC TURRET					
REF						

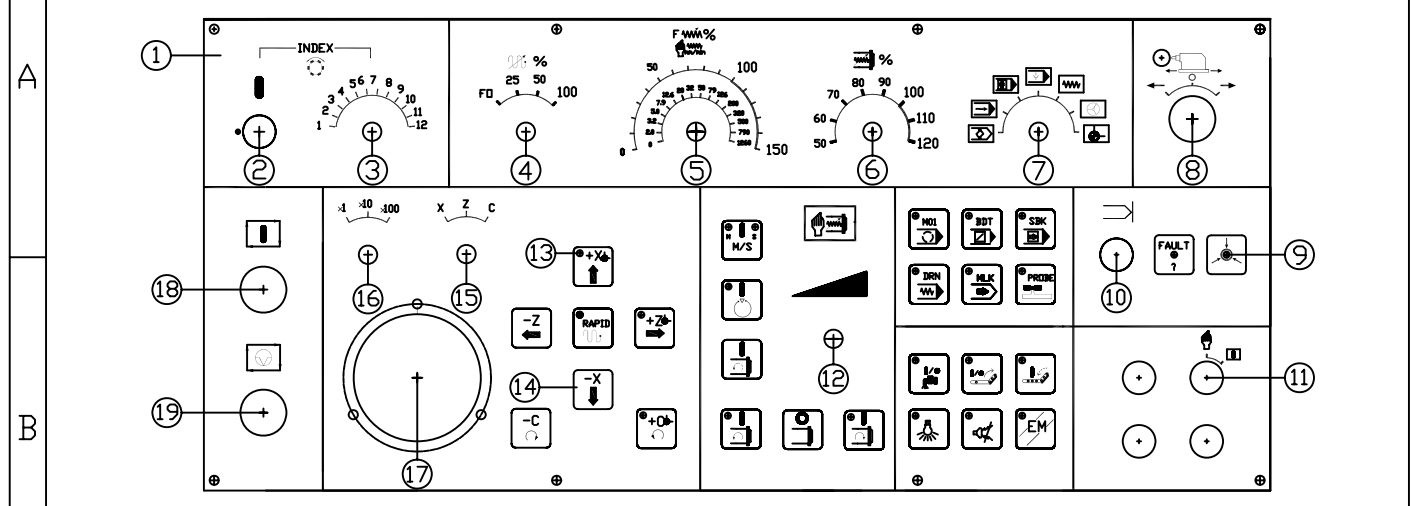
REV	DESCRIPTION	DATE	ECN.
A	RELEASE TO A	2007/06/01	TBLE0106



GS 8220iTC-P31 PARTS LIST				
ITEM (項目)	PART NUMBER (零件料號)	SPECIFICATION (規格)	DESCRIPTION (說明)	QUANTITY (數量)
1	BL 000327901B	ASSM	POWER PLANE	1
2	BL 00029110307	XB4BVM3-220V 22mm	POWER LAMP	1
3	BL 00036500011	1A 16mm - G	PUSH BOTTON	1
4	BL 00036500012	1B 16mm - R	PUSH BOTTON	1
5	NV 00036500203	ZB5 AT4 + ZB5 AZ104	EM PUSH BOTTON	1

DRAWN	RACHEL-C	2007-06-01	NC TYPE	Oi-TC	MT TYPE	GS SERIES
CHECK	SUNNY-L	2007-06-01	DWG NO	E01\GS 8220iTC-P31		VERSION:A
APPROVE	SUNNY-L	2007-06-01	PART NO	GS 8220iTCP		
TITLE	POWER PANEL					
REF						

1	2	3	4	
REV		DESCRIPTION	DATE	ECN.
A		RELEASE TO A	2007/06/01	TBLE0106



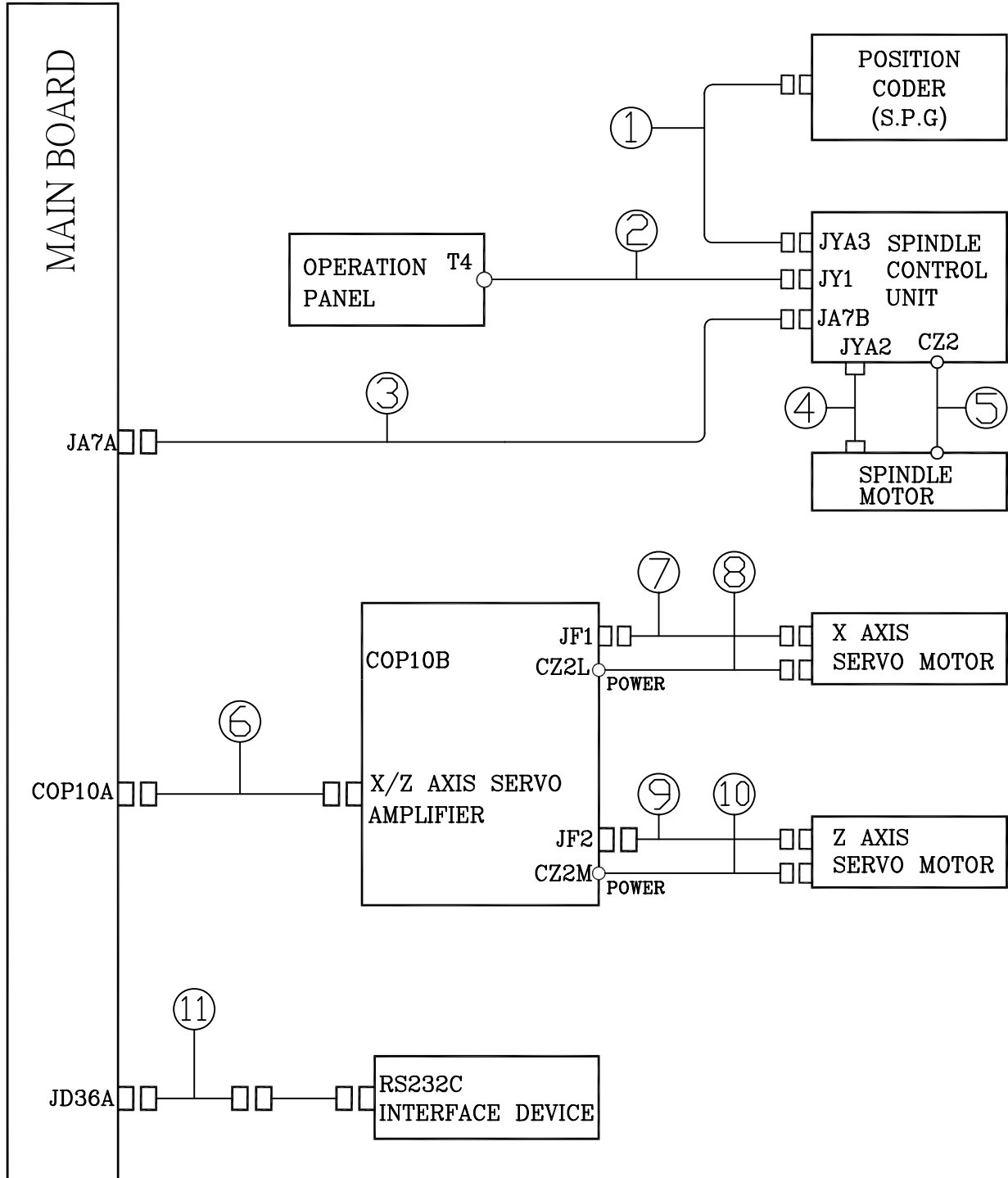
GS 8220iTC-P32 PARTS LIST

ITEM (項目)	PART NUMBER (零件料號)	SPECIFICATION (規格)	DESCRIPTION (說明)	QUANTITY (數量)
1	BL 000327906 BL 000327907	FOR WITHOUT POWER TOOLING FOR WITH POWER TOOLING	面板 Operation panel	1
2	BL 00036500010	1A 16mm(TE) XB6DW31B	照光復歸長方形按鈕開關 Push button	1
3	NV 00028350001	DP-02H-S02	旋轉開關 Rotaty switch	1
4	NV 00028350000	DP-02I-N-S02	旋轉開關 Rotaty switch	1
5	NV 00028350001	DP-02H-S02	旋轉開關 Rotaty switch	1
6	NV 00028350002	DP-04Q-N-S02	旋轉開關 Rotaty switch	1
7	NV 00028350003	DP-52N-S02	旋轉開關 Rotaty switch	1
8	BL 00028350007	XB4BD53-2A 22mm (TE)	三段選擇開關 Select switch	1
9	BL 00029110306	DC24V 8mm(黃)	發光二極體 LED	1
10	BL 00029110305	DC24V 16mm(黃)	指示燈 LAMP	1
11	BL 00028350009	XB6AGC1B-1A (TE)	圓型鑰提開關 KEY SELECT SWITCH	1
12-1	BL 00118490012	RV24YN 20S B102 (COSMOS)	可變電阻 Variable resister	1 (GS 150/200)
12-2	NV 00118490012	RV30YN 1K (COSMOS)	可變電阻 Variable resister	1 (GS 200/66,GS 250)
13	NV 00118490004	5mm / R	發光二極體 LED	20
14	BL 00036500100	B3F-4050 (OMRON)	按鈕開關 PUSH BUTTON	25
15	BL 00028350008	I-1-11	旋轉開關 ROTATY SWITCH	1
16	BL 00028350008	I-1-11	旋轉開關 ROTATY SWITCH	1
17	BL 00028340301	N-HDW-AA	手輪操作器 M.P.G OPERATION	1
18	BL 00036500009	XB4BW33B1-G 24V 1A 22mm (TE)	照光按鈕開關 INDI. PUSH BUTTON	1
19	BL 00036500008	XB4BW14B2-R 24V 1B 22mm (TE)	照光按鈕開關 INDI. PUSH BUTTON	1

DRAWN	RACHEL-C	2007-06-01	NC TYPE	Oi-TC	MT TYPE	GS SERIES
CHECK	SUNNY-L	2007-06-01	DWG NO	E01\GS 8220iTC-P32	VERSION:A	
APPROVE	SUNNY-L	2007-06-01	PART NO	GS 8220iTCP		
TITLE	MAIN OPERATION PANEL					
REF						

REV	DESCRIPTION	DATE	ECN.
A	RELEASE TO A	2007/06/01	TBLE0106

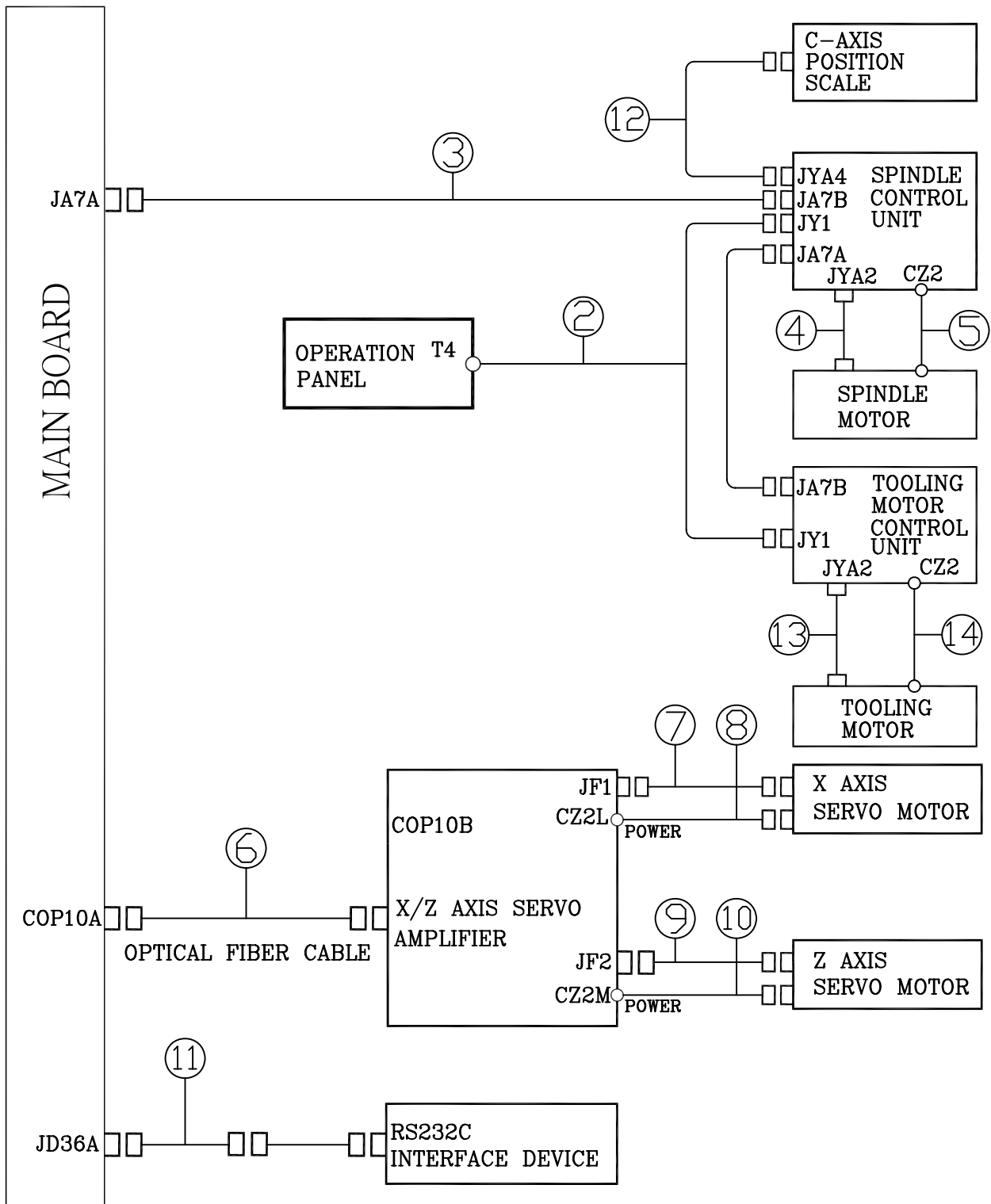
TALENT SYSTEM DIAGRAM FOR 0i-TC



DRAWN	RACHEL-C	2007-06-01	NC TYPE	0i-TC	MT TYPE	GS SERIES
CHECK	SUNNY-L	2007-06-01	DWG NO	E01\GS 8220iTC-P33		VERSION:A
APPROVE	SUNNY-L	2007-06-01	PART NO	GS 8220iTCP		
TITLE	SYSTEM DIAGRAM					
REF						

REV	DESCRIPTION	DATE	ECN.
A	RELEASE TO A	2007/06/01	TBLE0106

TALENT SYSTEM DIAGRAM FOR Oi-TC

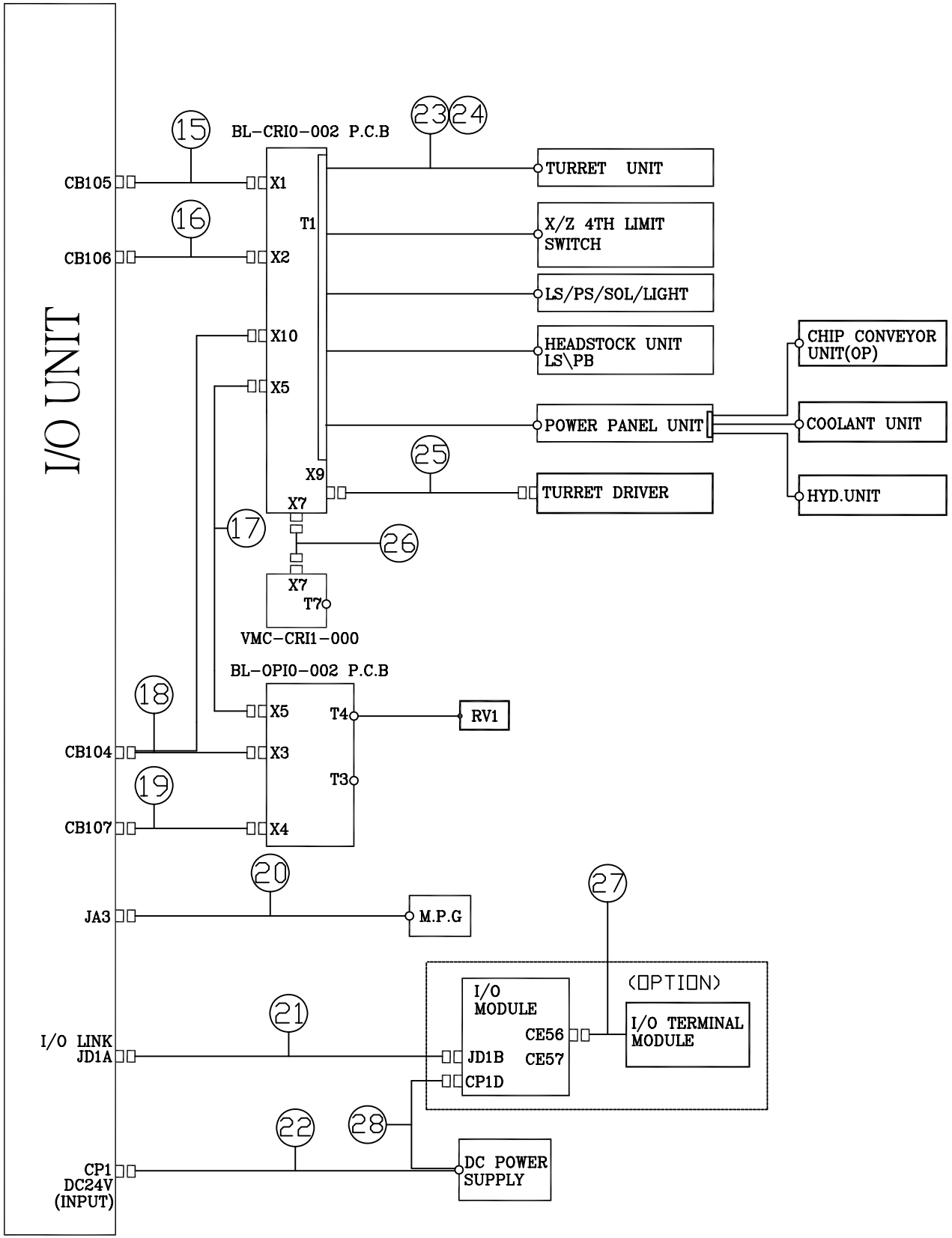


DRAWN	RACHEL-C	2007-06-01	NC TYPE	Oi-TC	MT TYPE	GS SERIES
CHECK	SUNNY-L	2007-06-01	DWG NO	E01\GS 8220iTC-P34	VERSION:A	
APPROVE	SUNNY-L	2007-06-01	PART NO	GS 8220iTCP		
TITLE	SYSTEM DIAGRAM(WITH C AXIS)					
REF						

REV	DESCRIPTION	DATE	ECN.
A	RELEASE TO A	2007/06/01	TBLE0106

TALENT SYSTEM DIAGRAM FOR Oi-TC

A
B
C
D
E



DRAWN	RACHEL-C	2007-06-01	NC TYPE	Oi-TC	MT TYPE	GS SERIES
CHECK	SUNNY-L	2007-06-01	DWG NO	E01\GS 8220iTC-P35		VERSION:A
APPROVE	SUNNY-L	2007-06-01	PART NO	GS 8220iTCP		
TITLE	SYSTEM DIAGRAM					
REF						

1

2

3

4

* : MT TYPE

REV	DESCRIPTION	DATE	ECN.
A	RELEASE TO A	2007/06/01	TBLE0106

MT TYPE	CODE
GS 150	A
GS 200	B
GS 200/66	E
GS 200/66L	F
GS 250	D
GS 250L	L

GS 8220iTC-P33~P35 PARTS LIST

ITEM (項目)	PART NUMBER (零件料號)	SPECIFICATION (規格)	DESCRIPTION (說明)	QUANTITY (數量)
1	GS *203011I33E	JYA3	電纜線組 CABLE SET	1
2	GS *203011I30D	JY1	電纜線組 CABLE SET	1
3	GS *203011I350	JA7A	電纜線組 CABLE SET	1/2
4	GS *203011I33X	JYA2	電纜線組 CABLE SET	1
5	GS *203011I31F	CZ2	電纜線組 CABLE SET	1
6	NV 00004000374	CDP10A	光纖線組 OPTICAL CABLE SET	1
7	GS *203011I33G	JF1	電纜線組 CABLE SET	1
8	GS *203011I33J	CZ2L	電纜線組 CABLE SET	1
9	GS *203011I33H	JF2	電纜線組 CABLE SET	1
10	GS *203011I33K	CZ2M	電纜線組 CABLE SET	1
11	GS *203011I353	JD36A	電纜線組 CABLE SET	1
12	GS *203011I31Y	JYA4	電纜線組 CABLE SET	1
13	GS *203011I34X	JYA2	電纜線組 CABLE SET	1
14	GS *203011I331	CZ2	電纜線組 CABLE SET	1
15	GS *203011I31M	CB105	電纜線組 CABLE SET	1
16	GS *203011I31N	CB106	電纜線組 CABLE SET	1
17	GS *203011I31Q	X5	電纜線組 CABLE SET	1
18	GS *203011I31L	CB104	電纜線組 CABLE SET	1
19	GS *203011I31D	CB107	電纜線組 CABLE SET	1
20	GS *203011I33F	JA3	電纜線組 CABLE SET	1

F	DRAWN	RACHEL-C	2007-06-01	NC TYPE	Oi-TC	MT TYPE	GS SERIES
	CHECK	SUNNY-L	2007-06-01	DWG NO	E01\GS 8220iTC-P36	VERSION:A	
	APPROVE	SUNNY-L	2007-06-01	PART NO	GS 8220iTCP		
	TITLE	CABLE DESCRIPTION BOM					
	REF						

* : MT TYPE

REV	DESCRIPTION	DATE	ECN.
A	RELEASE TO A	2007/06/01	TBLE0106

MT TYPE	CODE
GS 150	A
GS 200	B
GS 200/66	E
GS 200/66L	F
GS 250	D
GS 250L	L

GS 8220iTC-P33~P35 PARTS LIST				
ITEM (項目)	PART NUMBER (零件料號)	SPECIFICATION (規格)	DESCRIPTION (說明)	QUANTITY (數量)
21	GS *203011I354	JD1A	電纜線組 CABLE SET	1
22	GS *203011I352	CP1	電纜線組 CABLE SET	1
23	GS *203011I330	TURRET MOTOR POWER	電纜線組 CABLE SET	1
24	GS *203011I331	TURRET MOTOR SIGNAL	電纜線組 CABLE SET	1
25	GS *203011I325	X9	電纜線組 CABLE SET	1
26	GS *203011I31P	X7	電纜線組 CABLE SET	1
27	GS *203011I3A0	CE56	電纜線組 CABLE SET	1
28	GS *203011I38C	CPD1	電纜線組 CABLE SET	1

F	DRAWN	RACHEL-C	2007-06-01	NC TYPE	Oi-TC	MT TYPE	GS SERIES
	CHECK	SUNNY-L	2007-06-01	DWG NO	E01\GS 8220iTC-P37	VERSION:A	
	APPROVE	SUNNY-L	2007-06-01	PART NO	GS 8220iTCP		
	TITLE	CABLE DESCRIPTION BOM					
	REF						

PARTS LIST

<u>DWG NO.</u>	<u>TITLE</u>		<u>VERSION</u>
GS 8220iTC-P01	X AXIS	(GS 150/200)	A
GS 8220iTC-P02	Z AXIS	(GS 150/200)	A
GS 8220iTC-P03	SPINDLE MOTOR/CHUCK SOLENOID	(GS 150/200)	A
GS 8220iTC-P04	FRONT VIEW	(GS 150/200)	A
GS 8220iTC-P05	REAR VIEW	(GS 150/200)	A
GS 8220iTC-P06	RIGHT SIDE	(GS 150/200)	A
GS 8220iTC-P07	TAILBODY_LIMIT SW.	(GS 150/200)	A
GS 8220iTC-P08	POWER CASE	(GS 150/200)	A
GS 8220iTC-P09	POWER CASE BOM	(GS 150/200)	A
GS 8220iTC-P10	POWER CASE BOM	(GS 150/200)	A
GS 8220iTC-P11	POWER CASE BOM	(GS 150/200)	A
GS 8220iTC-P12	POWER CASE BOTTOM	(GS 150/200)	A
GS 8220iTC-P13	POWER CASE LEFT SIDE	(GS 150/200)	A
GS 8220iTC-P14	POWER CASE DOOR	(GS 150/200)	A
GS 8220iTC-P15	X AXIS	(GS 200/66,GS 250)	A
GS 8220iTC-P16	Z AXIS	(GS 200/66,GS 250)	A
GS 8220iTC-P17	SPINDLE MOTOR/CHUCK SOLENOID	(GS 200/66,GS 250)	A
GS 8220iTC-P18	FRONT VIEW	(GS 200/66,GS 250)	A
GS 8220iTC-P19	REAR VIEW	(GS 200/66,GS 250)	A
GS 8220iTC-P20	RIGHT SIDE	(GS 200/66,GS 250)	A
GS 8220iTC-P21	TAILBODY_LIMIT SW.	(GS 200/66,GS 250)	A
GS 8220iTC-P21A	TAILBODY_LIMIT SW.	(GS 200/66L,GS 250L)	A
GS 8220iTC-P22	POWER CASE	(GS 200/66,GS 250)	A
GS 8220iTC-P23	POWER CASE BOM	(GS 200/66,GS 250)	A
GS 8220iTC-P24	POWER CASE BOM	(GS 200/66,GS 250)	A
GS 8220iTC-P25	POWER CASE BOM	(GS 200/66,GS 250)	A
GS 8220iTC-P26	POWER CASE BOTTOM	(GS 200/66,GS 250)	A
GS 8220iTC-P27	POWER CASE LEFT SIDE	(GS 200/66,GS 250)	A
GS 8220iTC-P28	POWER CASE DOOR	(GS 200/66,GS 250)	A
GS 8220iTC-P29	LIO SHING SERVO TURRET	(GS SERIES)	A
GS 8220iTC-P30	LIO SHING HYDRAULIC TURRET	(GS SERIES)	A
GS 8220iTC-P31	POWER PANEL	(GS SERIES)	A
GS 8220iTC-P32	MAIN OPERATION PANEL	(GS SERIES)	A
GS 8220iTC-P33	SYSTEM DIAGRAM	(GS SERIES)	A
GS 8220iTC-P34	SYSTEM DIAGRAM(WITH C AXIS)	(GS SERIES)	A
GS 8220iTC-P35	SYSTEM DIAGRAM	(GS SERIES)	A
GS 8220iTC-P36	CABLE DESCRIPTION BOM	(GS SERIES)	A
GS 8220iTC-P37	CABLE DESCRIPTION BOM	(GS SERIES)	A

1

2

3

4

REV	DESCRIPTION	DATE	ECN.
A	RELEASE TO A	2007/06/01	TBLE0106

A

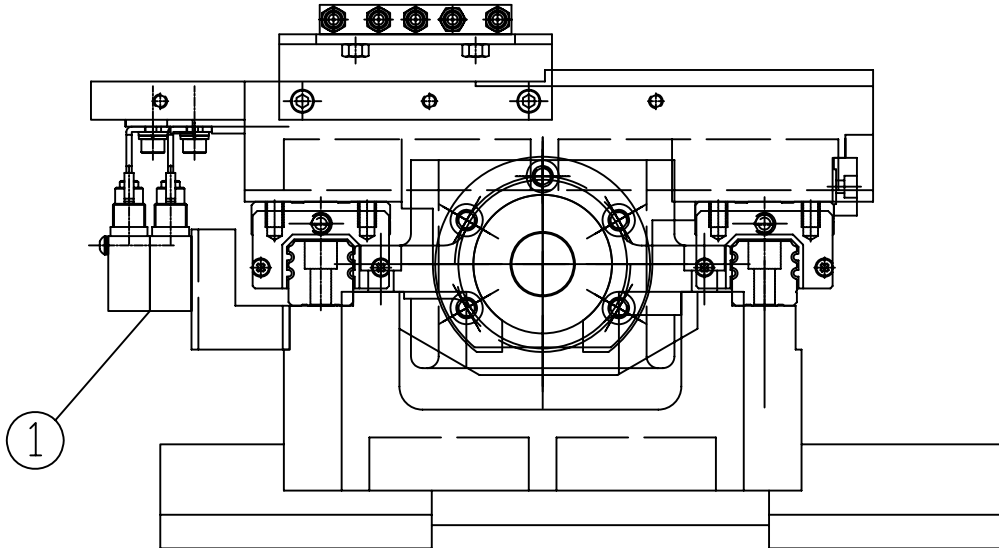
B

C

D

E

F

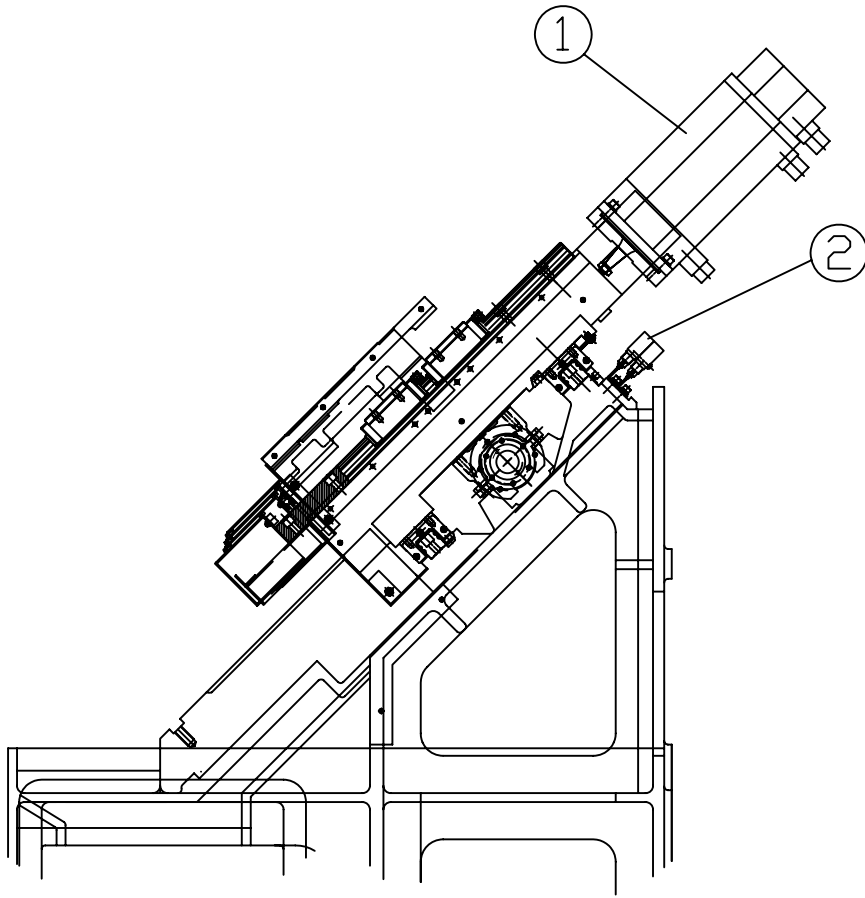


GS 8220iTC-P01 PARTS LIST

ITEM (項目)	PART NUMBER (零件料號)	SPECIFICATION (規格)	DESCRIPTION (說明)	QUANTITY (數量)
1	NV 00102440000	SL1-A(YAMATAKE)	X AXSI REF/EM SWITCH	2

DRAWN	RACHEL-C	2007-06-01	NC TYPE	01-TC	MT TYPE	GS 150/200
CHECK	SUNNY-L	2007-06-01	DWG NO	E01\GS 8220iTC-P01	VERSION:A	
APPROVE	SUNNY-L	2007-06-01	PART NO	GS 8220iTCP		
TITLE	X AXIS					
REF						

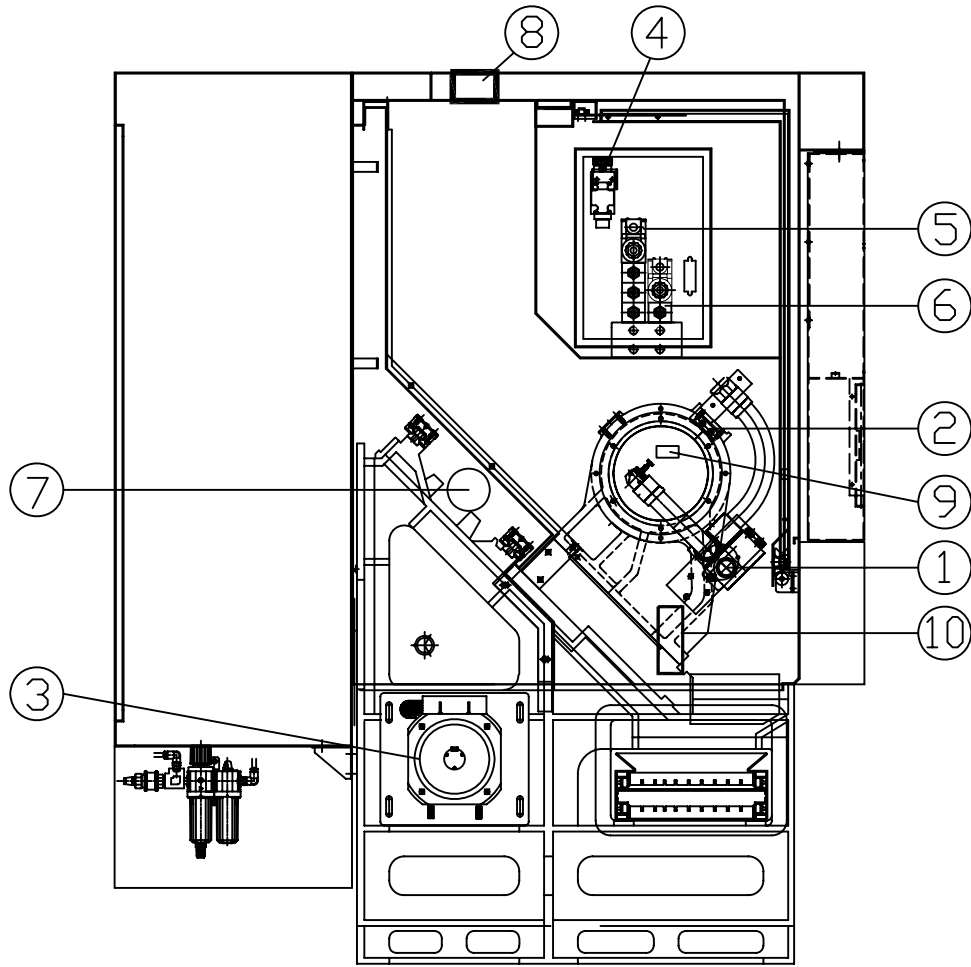
REV	DESCRIPTION	DATE	ECN.
A	RELEASE TO A	2007/06/01	TBLE0106



GS 8220iTC-P02 PARTS LIST				
ITEM (項目)	PART NUMBER (零件料號)	SPECIFICATION (規格)	DESCRIPTION (說明)	QUANTITY (數量)
1	NV 00004000025	A06B-0227-B301 (FANUC)	X AXIS SERVO MOTOR	1
2	NV 00102440000	SL1-A(YAMATAKE)	Z AXSI REF/EM SWITCH	2

DRAWN	RACHEL-C	2007-06-01	NC TYPE	0i-TC	MT TYPE	GS 150/200
CHECK	SUNNY-L	2007-06-01	DWG NO	E01\GS 8220iTC-P02	VERSION:A	
APPROVE	SUNNY-L	2007-06-01	PART NO	GS 8220iTCP		
TITLE	Z AXIS					
REF						

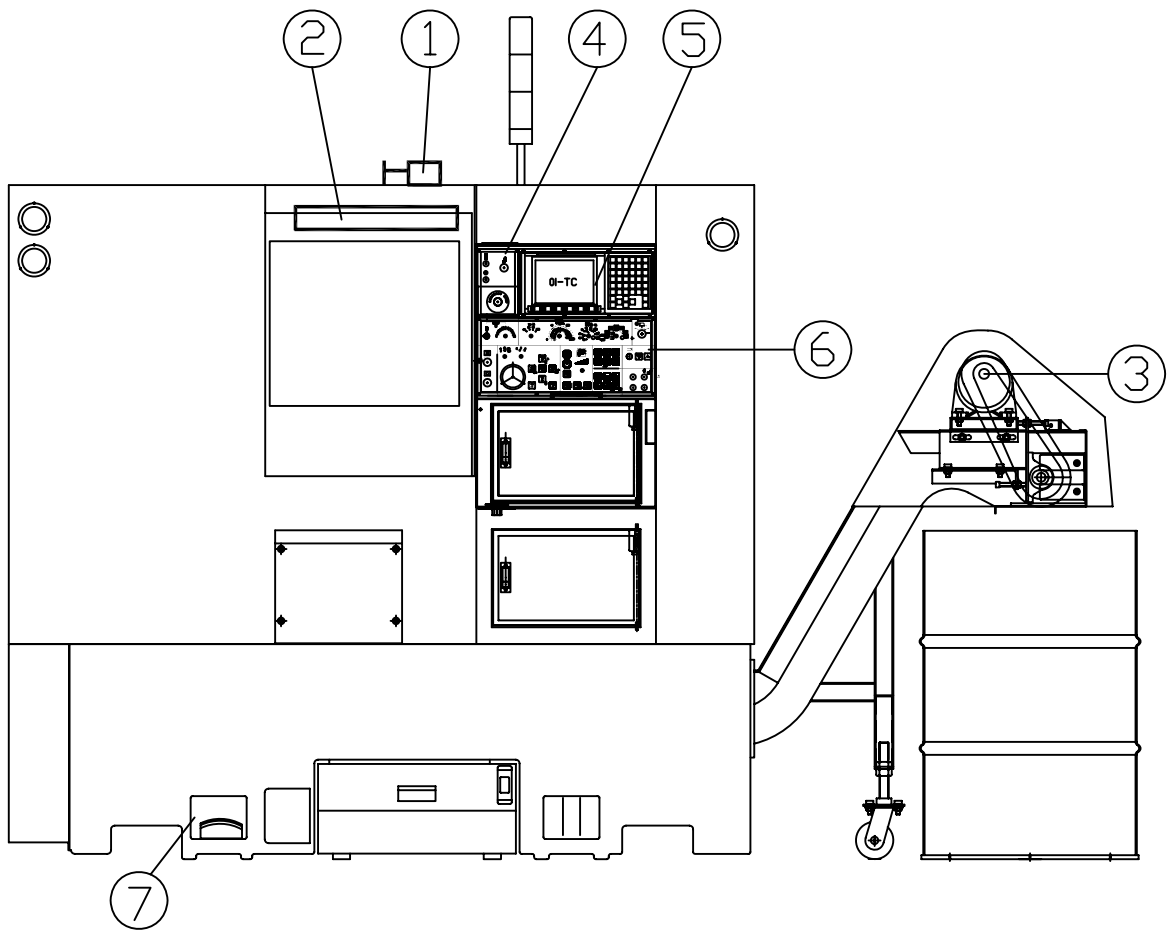
REV	DESCRIPTION	DATE	ECN.
A	RELEASE TO A	2007/06/01	TBLE0106



GS 8220iTC-P03 PARTS LIST				
ITEM (項目)	PART NUMBER (零件料號)	SPECIFICATION (規格)	DESCRIPTION (說明)	QUANTITY (數量)
1	BL 00028340401	6'-8'	TOOL PROBE ARM	1
2	NV 00081480001	MSK-015-1024-08	SPD. ROT. SPEED SENSOR	1
3	BL 00004000034	AP15 FLOKB/6000RPM A06B-1449-B150	SPINDLE MOTOR	1
4			CHUCK PRESSURE DETECT	1
5			CHUCK INWARD SOLENOID	1
6			CHUCK OUTWARD SOLENOID	1
7	NV 00004000024	A06B-0227-B001 (FANUC)	Z AXIS SERVO MOTOR	1
8-1	BL 00118500004	6'	FAN NET	2
8-2	BL 00115550200	6' AC110V	FAN	1
9	NV 00028340012	E2E-X3D2-N (OMRON)	PROXIMITY SWITCH (FOR CE)	2
10	NV 00102440020	XCSPA791+XCSZ15 (TE)	DOOR SWITCH (FOR CE)	1

DRAWN	RACHEL-C	2007-06-01	NC TYPE	0i-TC	MT TYPE	GS 150/200
CHECK	SUNNY-L	2007-06-01	DWG NO	E01\GS 8220iTC-P03	VERSION:A	
APPROVE	SUNNY-L	2007-06-01	PART NO	GS 8220iTCP		
TITLE	SPINDLE MOTOR/CHUCK SOLENOID					
REF						

REV	DESCRIPTION	DATE	ECN.
A	RELEASE TO A	2007/06/01	TBLE0106

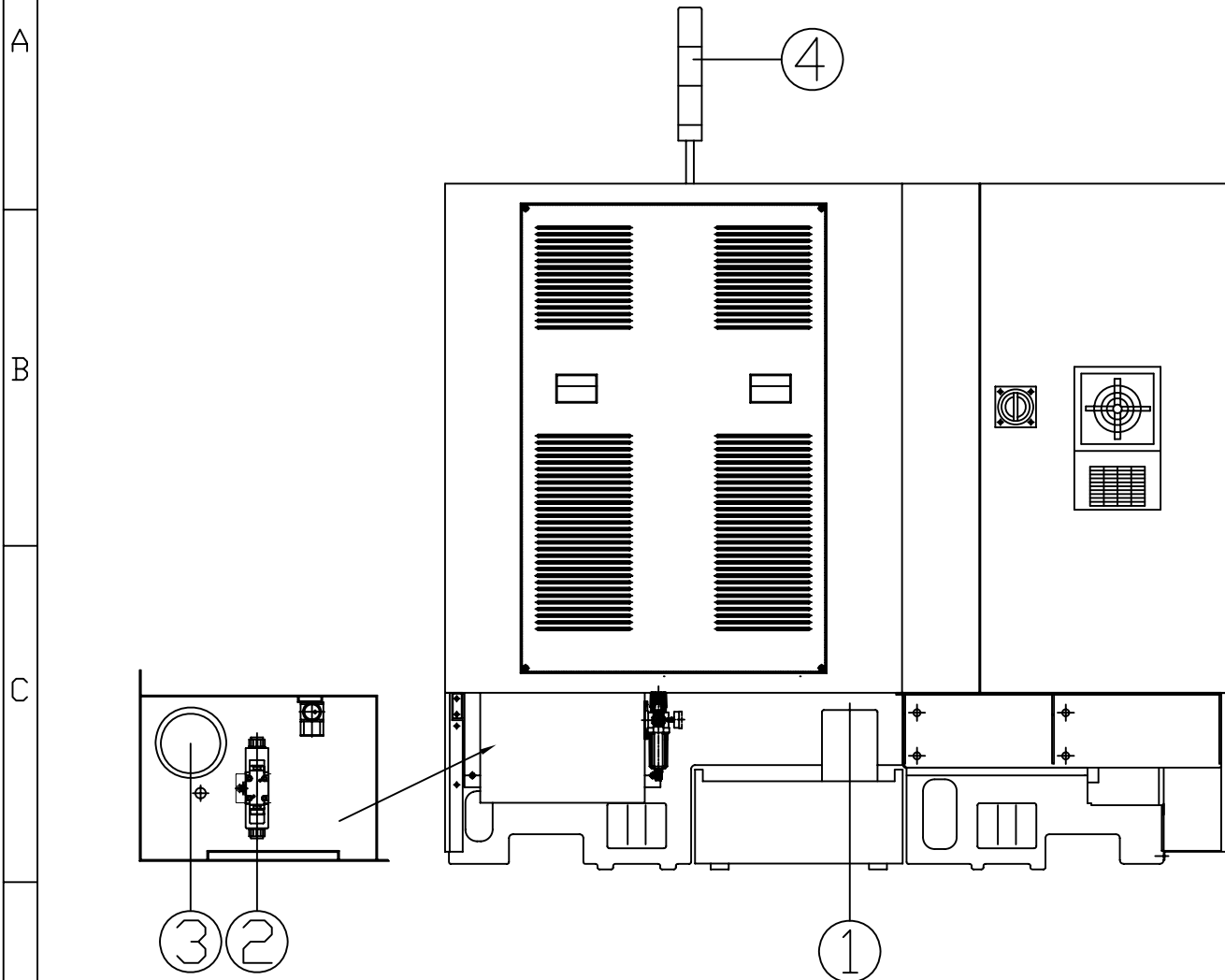


GS 8220iTC-P04 PARTS LIST

ITEM (項目)	PART NUMBER (零件料號)	SPECIFICATION (規格)	DESCRIPTION (說明)	QUANTITY (數量)
1-1	NV 00102440002	XCSPA591,XCSZ14 (TE)	DOOR SWITCH	1
1-2	NV 00102440014	XCS-TE7311 (TE)	DOOR SWITCH FOR CE (DP)	1
2	NV 00089150003	AC24V 18W	WORK LAMP	1
3		3 PHASE 200W	CHIP CONVEYOR MOTOR	1
4	BL 000327901B	ASSM	NC POWER PANEL	1
5	BL 00004000212	8.4"LCD/MDI FANUC 0I-TC	FANUC 0I-TC	1
6	BL 000327906 BL 000327907	FOR WITHOUT POWER TOOLING FOR WITH POWER TOOLING	MAIN OPERATION PANEL (BL-DPOI-003)	1
7	BL 00102240000	SFS-337	FOOT SWITCH	1

DRAWN	RACHEL-C	2007-06-01	NC TYPE	0i-TC	MT TYPE	GS 150/200
CHECK	SUNNY-L	2007-06-01	DWG NO	E01\GS 8220iTC-P04	VERSION:A	
APPROVE	SUNNY-L	2007-06-01	PART NO	GS 8220iTCP		
TITLE	FRONT VIEW					
REF						

REV	DESCRIPTION	DATE	ECN.
A	RELEASE TO A	2007/06/01	TBLE0106



GS 8220iTC-P05 PARTS LIST

ITEM (項目)	PART NUMBER (零件料號)	SPECIFICATION (規格)	DESCRIPTION (説明)	QUANTITY (數量)
1	BL 00033250101	MTH4-20 [GRUNDFOS]	COOLANT MOTOR	1
2			TURRET CLAMP SOLENOID	1
3		3 PHASE 2HP	HYD. PUMP MOTOR	1
4-1	BL 00120450200	DC24V (G/R/Y/BZ)	TOWER LIGHT & BUZZER (3 COLOR) (OP)	1
4-2	NV 00120450202	DC24V 30mm	BUZZER(STAND)	1

DRAWN	RACHEL-C	2007-06-01	NC TYPE	01-TC	MT TYPE	GS 150/200
CHECK	SUNNY-L	2007-06-01	DWG NO	E01\GS 8220iTC-P05		VERSION:A
APPROVE	SUNNY-L	2007-06-01	PART NO	GS 8220iTCP		
TITLE	REAR VIEW					
REF						

1

2

3

4

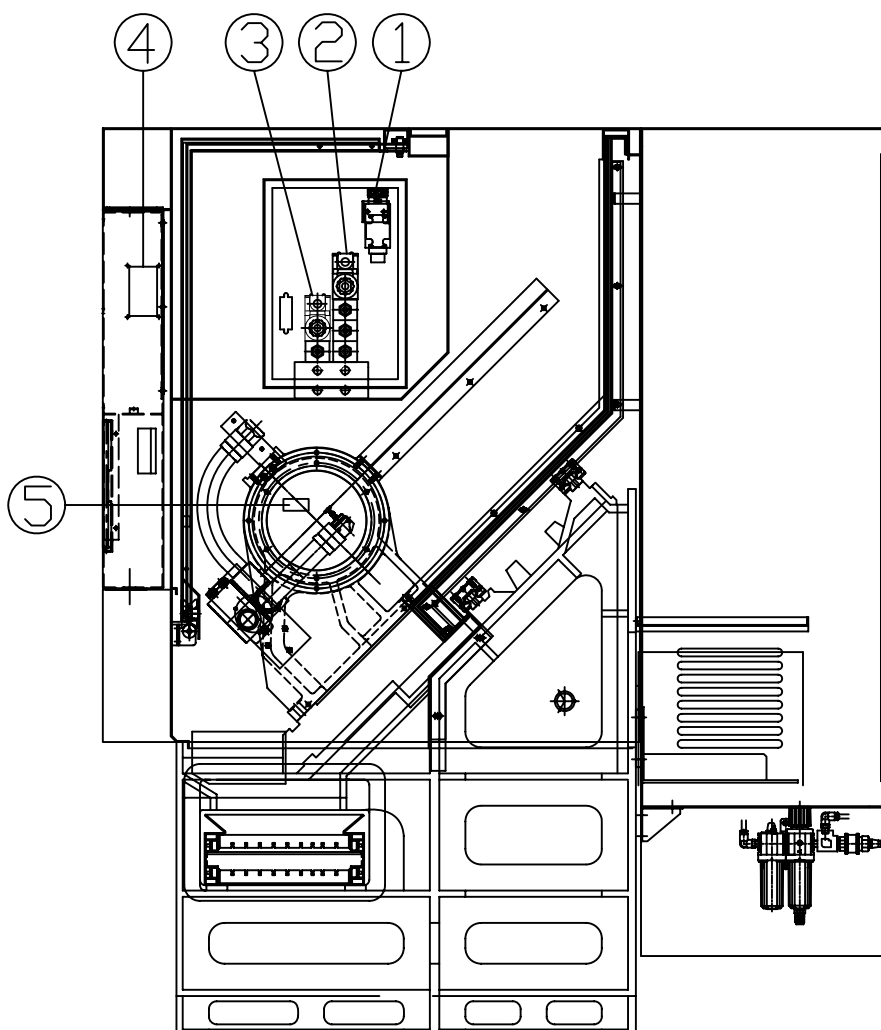
REV	DESCRIPTION	DATE	ECN.
A	RELEASE TO A	2007/06/01	TBLE0106

A

B

C

D

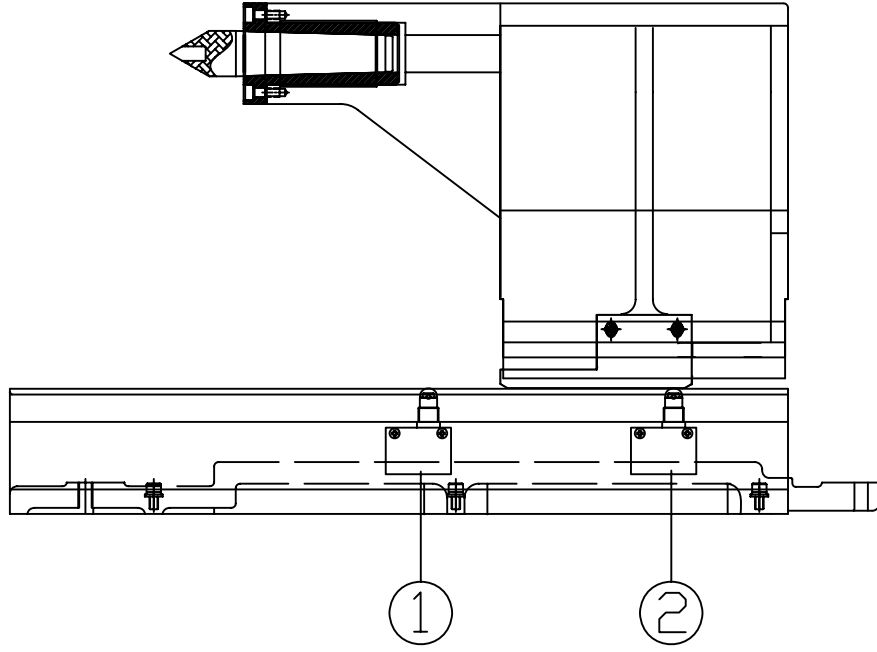


GS 8220iTC-P06 PARTS LIST

ITEM (項目)	PART NUMBER (零件料號)	SPECIFICATION (規格)	DESCRIPTION (説明)	QUANTITY (數量)
1			TAILSTOCK BODY FORWARD END DETECT	1
2			TAILSTOCK BODY FORWARD SOLENOID	1
3			TAILSTOCK BODY RETRACT END DETECT	1
4	BL 0003011132X	ASSM	RS232C INTERFACE	1
5	NV 00028340012	E2E-X3D2-N (OMRON)	PROXIMITY SWITCH (FOR CE)	2

F	DRAWN	RACHEL-C	2007-06-01	NC TYPE	Oi-TC	MT TYPE	GS 150/200
	CHECK	SUNNY-L	2007-06-01	DWG NO	E01\GS 8220iTC-P06		VERSION:A
	APPROVE	SUNNY-L	2007-06-01	PART NO	GS 8220iTCP		
	TITLE	RIGHT SIDE					
	REF						

REV	DESCRIPTION	DATE	ECN.
A	RELEASE TO A	2007/06/01	TBLE0106



GS 8220iTC-P07 PARTS LIST				
ITEM (項目)	PART NUMBER (零件料號)	SPECIFICATION (規格)	DESCRIPTION (説明)	QUANTITY (數量)
1	NV 00102440000	SL1-A(YAMATAKE)	TAILSTOCK BODY SLOW DOWN SWITCH	1
2	NV 00102440000	SL1-A(YAMATAKE)	TAILSTOCK BODY RETRACT SWITCH	1

DRAWN	RACHEL-C	2007-06-01	NC TYPE	Oi-TC	MT TYPE	GS 150/200
CHECK	SUNNY-L	2007-06-01	DWG NO	E01\GS 8220iTC-P07		VERSION:A
APPROVE	SUNNY-L	2007-06-01	PART NO	GS 8220iTCP		
TITLE	TAILBODY_LIMIT SW.					
REF						

1

2

3

4

REV	DESCRIPTION	DATE	ECN.
A	RELEASE TO A	2007/06/01	TBLE0106

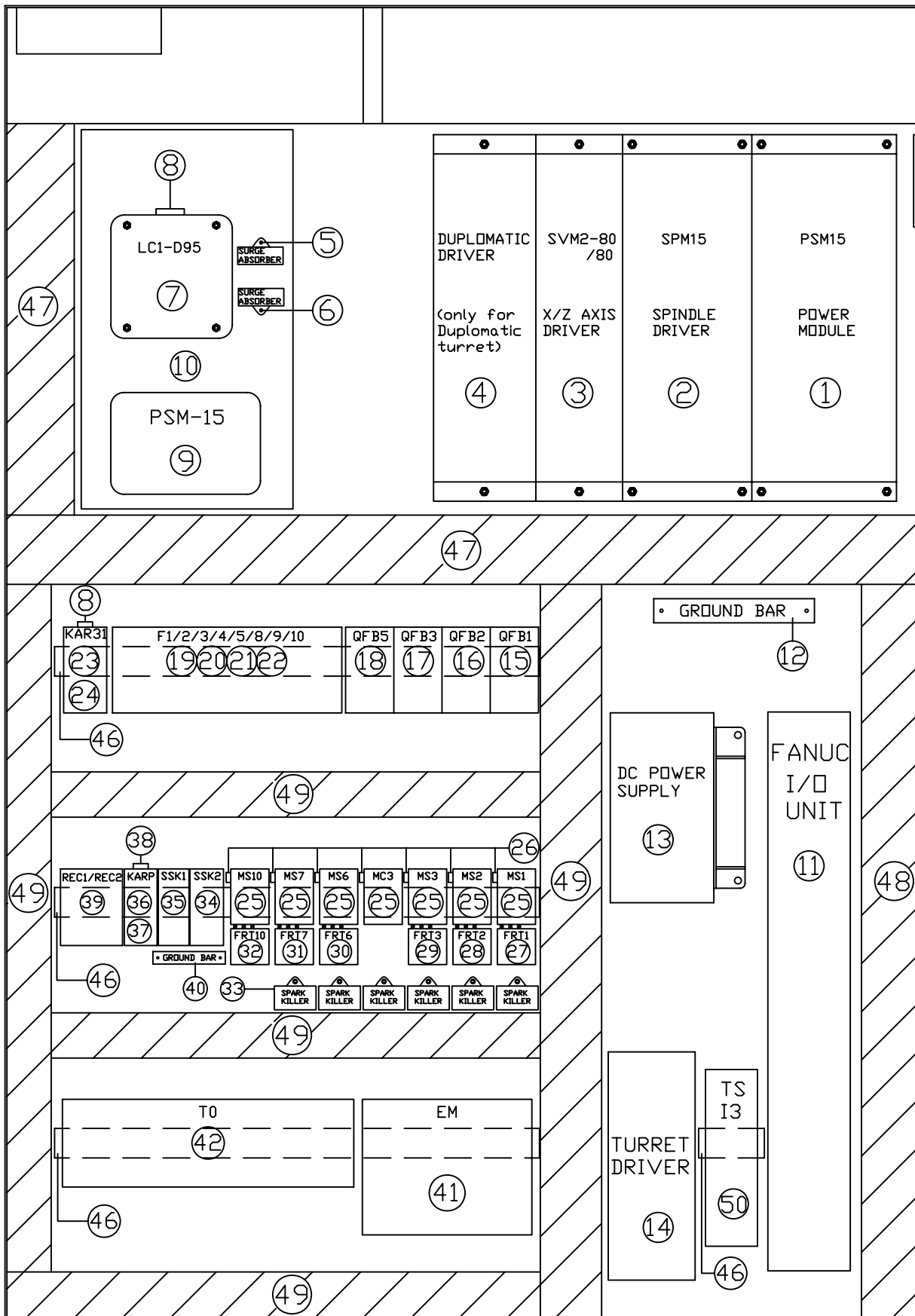
A

B

C

D

E



DRAWN	RACHEL-C	2007-06-01	NC TYPE	Oi-TC	MT TYPE	GS 150/200
CHECK	SUNNY-L	2007-06-01	DWG NO	E01\GS 8220iTC-P08	VERSION:A	
APPROVE	SUNNY-L	2007-06-01	PART NO	GS 8220iTCP		
TITLE	POWER CASE					
REF						

1	2	3	4
	REV	DESCRIPTION	DATE
	A	RELEASE TO A	2007/06/01
			TBLE0106

A

GS 8220iTC-P08 PARTS LIST

B

C

D

E

ITEM (項目)	PART NUMBER (零件料號)	SPECIFICATION (規格)	DESCRIPTION (說明)	QUANTITY (數量)
1	NV 00004000503	A06B-6110-H015 (PSM-15I)	電力模組 POWER MODULE	1
2	NV 00004000430	A06B-6111-H015#H550 (SPM-15I)	主軸驅動器 SPD. SERVO DRIVER	1
3	NV 00004000424	A06B-6114-H207 (SVM2-40/40i)	伺服驅動器 SERVO DRIVER	1
4	BL 000000804CE	DDC1-30-K20/22	DOUPLMATIC 動力刀塔驅動器 DOUPLMATIC TURRET DRIVE	1
5	NV 00004000610	RAV-781BYZ-2	突波吸收器 (線間) SURGE ABSORBER	1
6	NV 00004000611	RAV-781BXZ-4	突波吸收器 (線對地) SURGE ABSORBER	1
7	NV 00100160106	LC1D095M7 50/60HZ AC220V	接觸器 MANNETIC CONTACTOR	1
8	NV 00112980101	SQ21150TFL (250V) (MARCON)	火花消除器 SPARK KILLER	2
9	NV 00004000603	A81L-0001-0156	AC 電抗器 AC REACTOR	1
10	NV 00112980208	FN 3258-75A-52	三相濾波器 3 PHASE FILTER	1
11	NV 00004000377	A02B-0309-C001	FANUC DI/DO 單元 FANUC DI/DO UNIT	1
12	NV 001188800	1-14(14 HOLES)	接地銅條 GROUND BAR	1
13	NV 00087760306	S-250-24 DC24V/10A	DC 電源供應器 DC POWER SUPPLY	1
14	BL 00118490043	MR-J2-60D-S24	伺服刀塔控制器 TURRET CONTROLLER	1
15	NV 00100170002	SERIES/6000 C16 (GE)	無熔絲開關 (3P 16A) NO FUSE BREAKER	1
16	NV 00100170001	SERIES/6000 C2 (GE)	無熔絲開關 (3P 2A) NO FUSE BREAKER	1
17	NV 00100170002	SERIES/6000 C16 (GE)	無熔絲開關 (3P 16A) NO FUSE BREAKER (OP)	1
18	NV 00100170019	SERIES/6000 C3 (GE)	無熔絲開關 (2P 3A) NO FUSE BREAKER (OP)	1
19	NV 00096100005	10*38 6A (GOULD)	保險絲 (F1/F2) FUSE	2
20	NV 00096100003	10*38 4A (GOULD)	保險絲 (F3/F4) FUSE	2
21	NV 00096100001	10*38 2A (GOULD)	保險絲 (F5) FUSE	1
22	NV 00096100000	10*38 1A (GOULD)	保險絲 (F8/F9/F10) FUSE	3
23	NV 00011220009	MY2NJ DC24V (OMRON)	繼電器 RELAY	1
24	NV 00011220106	PYF-08AE	繼電器座 RELAY SOCKET	1

F

DRAWN	RACHEL-C	2007-06-01	NC TYPE	Oi-TC	MT TYPE	GS 150/200
CHECK	SUNNY-L	2007-06-01	DWG NO	E01\GS 8220iTC-P09		VERSION:A
APPROVE	SUNNY-L	2007-06-01	PART NO	GS 8220iTCP		
TITLE	POWER CASE BOM					
REF						

1	2	3	4
	REV	DESCRIPTION	DATE
	A	RELEASE TO A	2007/06/01
			ECN. TBLE0106

A

GS 8220iTC-P08 PARTS LIST

B

C

D

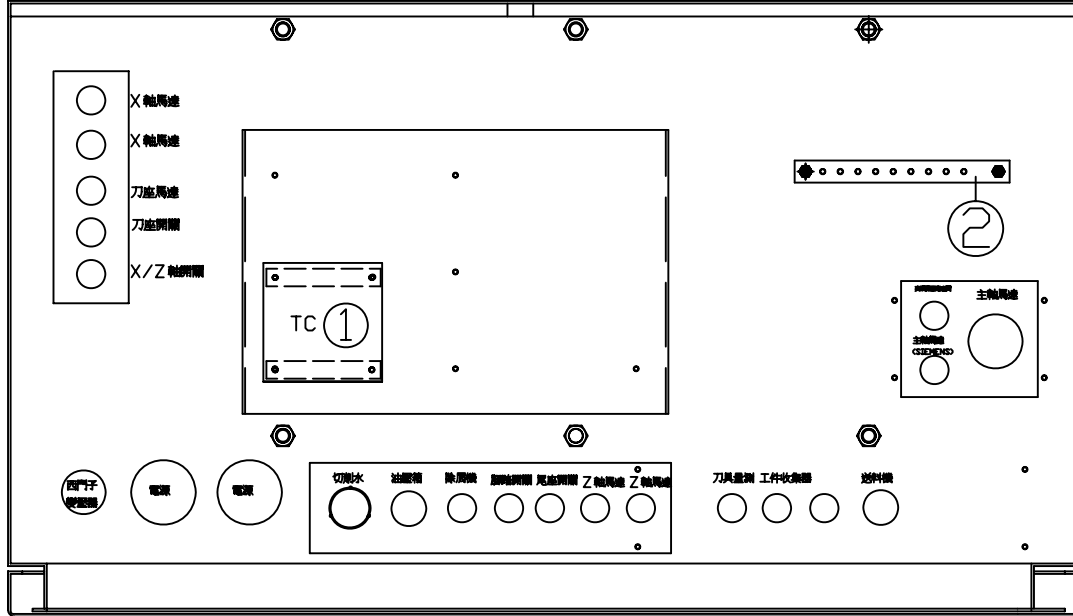
E

ITEM (項目)	PART NUMBER (零件料號)	SPECIFICATION (規格)	DESCRIPTION (說明)	QUANTITY (數量)
25	NV 00100160105	LC1D096F7	電磁接觸器 MAGNETIC CONCTOR	7
26	NV 00112980100	SQ13150TFL (110V) (MARCON)	火花消除器 SPARK KILLER	7
27	NV 00098330019 NV 00098330012	LR3D086 2.5A~4A LR3D0146 7~10A	過載電譯 THREMAL RELAY	1
28	NV 00098330012	LR3D0146 7~10A	過載電譯 THREMAL RELAY	1
29	NV 00098330010	LR3D066 1.0~1.6A	過載電譯 THREMAL RELAY	1
30	NV 00098330012	LR3D0146 7~10A	過載電譯 THREMAL RELAY	1
31	NV 00098330019	LR3D086 2.5A~4A	過載電譯 THREMAL RELAY	1
32	NV 00098330016	LR3D016 0.1~0.16A	過載電譯 THREMAL RELAY	1
33	NV 00112980200	0.47U 47 DM 250VAC (MARCON)	火花消除器 SPARK KILLER	6
34	NV 00102440016	XPS-AF 5130 (TE)	安全模組 SAFTY RELAY	1
35	NV 00004031001	XPS-AC 5121	安全模組 SAFTY RELAY	1
36	NV 00011220001	LY4NJ DC24V (DMRON)	繼電器 RELAY	1
37	NV 00011220011	PTF-14AE	繼電器座 RELAY SOCKET	1
38	NV 00112980001	IN4007	二極體 DIODE	1
39	NV 00093350002	VMC-PW0-003 (DC24V)	整流器組 DIODE	1
40	NV 001188801	1-7 (HOLE)	接地銅條 GROUND BAR	1
41	NV 00117910027	EMG-002M	緊急迴路 EM P.C.B	1
42	NV 00113020001 NV 00113020100	LEGRAND SLDC-B15A (SAN HD)	接線盤 TERMINAL BLOCK	1
43	NV 00118500000	FG-120 41/2" (SAN JUN)	風扇保護網 FAN FINGER GUARD	1
44	NV 00115550201	SJ1238 HA1 SAT AC110V	風扇 FAN	1
45	NV 00118500001	PFG120	過濾網 FIELTER NET	1
46	NV 00113021000	春日型 (山河)	鉸軌 GUIDE	4
47	NV 00108211000	70mm*100mm	絕緣配線槽 WIRING DUCT	2
48	NV 00108211001	65mm*65mm	絕緣配線槽 WIRING DUCT	1

F

DRAWN	RACHEL-C	2007-06-01	NC TYPE	Oi-TC	MT TYPE	GS 150/200
CHECK	SUNNY-L	2007-06-01	DWG NO	E01\GS 8220iTC-P10		VERSION:A
APPROVE	SUNNY-L	2007-06-01	PART NO	GS 8220iTCP		
TITLE	POWER CASE BOM					
REF						

REV	DESCRIPTION	DATE	ECN.
A	RELEASE TO A	2007/06/01	TBLE0106

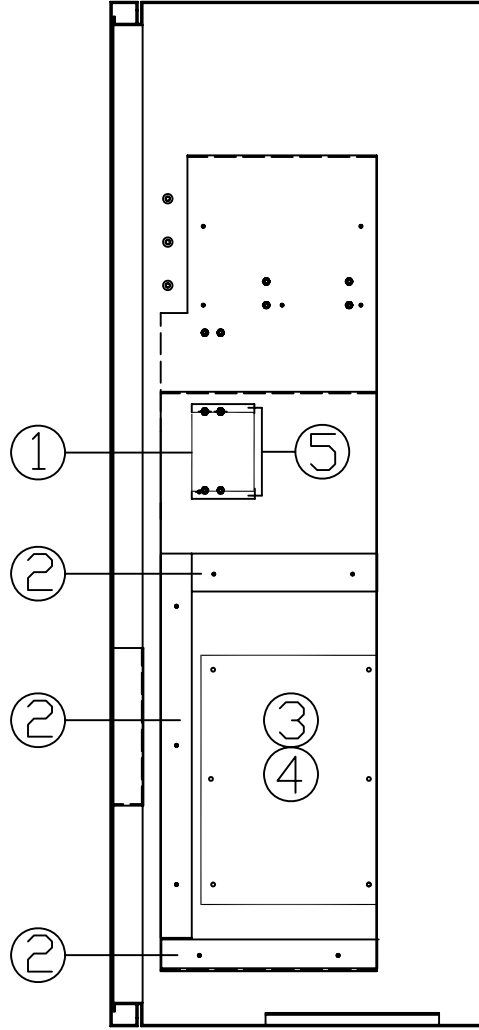


GS 8220iTC-P12 PARTS LIST

ITEM (項目)	PART NUMBER (零件料號)	SPECIFICATION (規格)	DESCRIPTION (說明)	QUANTITY (數量)
1	NV 00087760006	0-110V,0-19-24V, 0-20-24V	變壓器 TRANSFORMER	1
2	NV 001188800	1-14(14 HOLES)	接地銅條 GROUND BAR	1

DRAWN	RACHEL-C	2007-06-01	NC TYPE	Oi-TC	MT TYPE	GS 150/200
CHECK	SUNNY-L	2007-06-01	DWG NO	E01\GS 8220iTC-P12	VERSION:A	
APPROVE	SUNNY-L	2007-06-01	PART NO	GS 8220iTCP		
TITLE	POWER CASE BOTTOM					
REF						

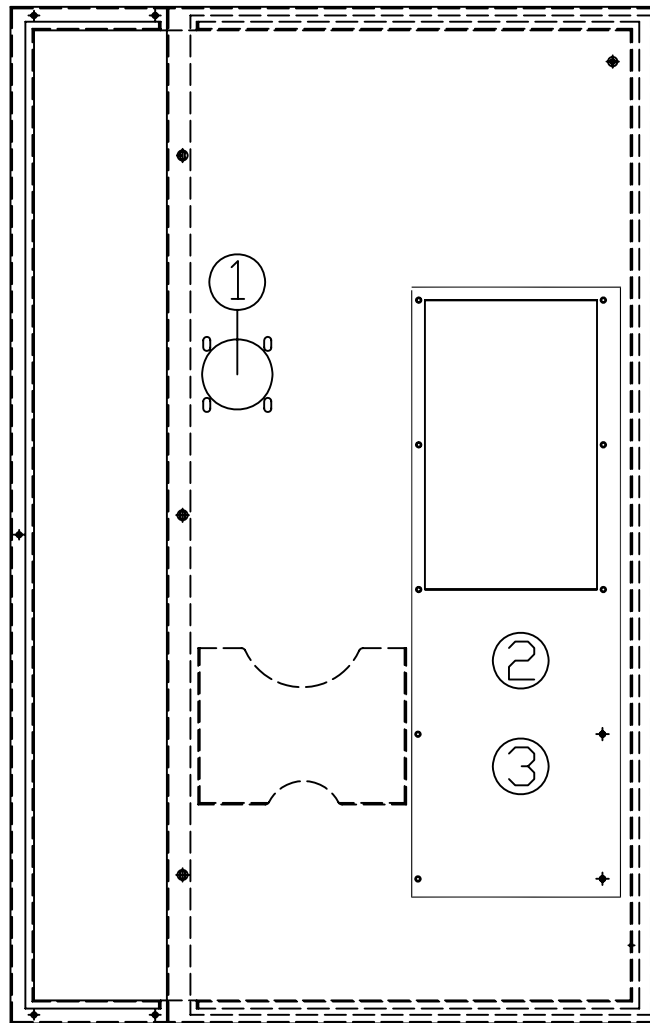
REV	DESCRIPTION	DATE	ECN.
A	RELEASE TO A	2007/06/01	TBLE0106



GS 8220iTC-P13 PARTS LIST				
ITEM (項目)	PART NUMBER (零件料號)	SPECIFICATION (規格)	DESCRIPTION (說明)	QUANTITY (數量)
1	NV 00100170009	T0-100EC 3P100A	無熔絲開關 NO FUSE BREAKER	1
2	NV 00108211002	45mm*65mm	絕緣配線槽 WIRING DUCT	3
3	NV 00117910022	VMC-CRI0-001	繼電器板 RELAY P.C.B (DP)	1
4	BL 00117910007	BL-CRI0-003	繼電器板 RELAY P.C.B	1
5	NV 00108211101	V89447	NFB 保護蓋 NFB COVER	2

DRAWN	RACHEL-C	2007-06-01	NC TYPE	Oi-TC	MT TYPE	GS 150/200
CHECK	SUNNY-L	2007-06-01	DWG NO	E01\GS 8220iTC-P13	VERSION:A	
APPROVE	SUNNY-L	2007-06-01	PART NO	GS 8220iTCP		
TITLE	POWER CASE LEFT SIDE					
REF						

REV	DESCRIPTION	DATE	ECN.
A	RELEASE TO A	2007/06/01	TBLE0106

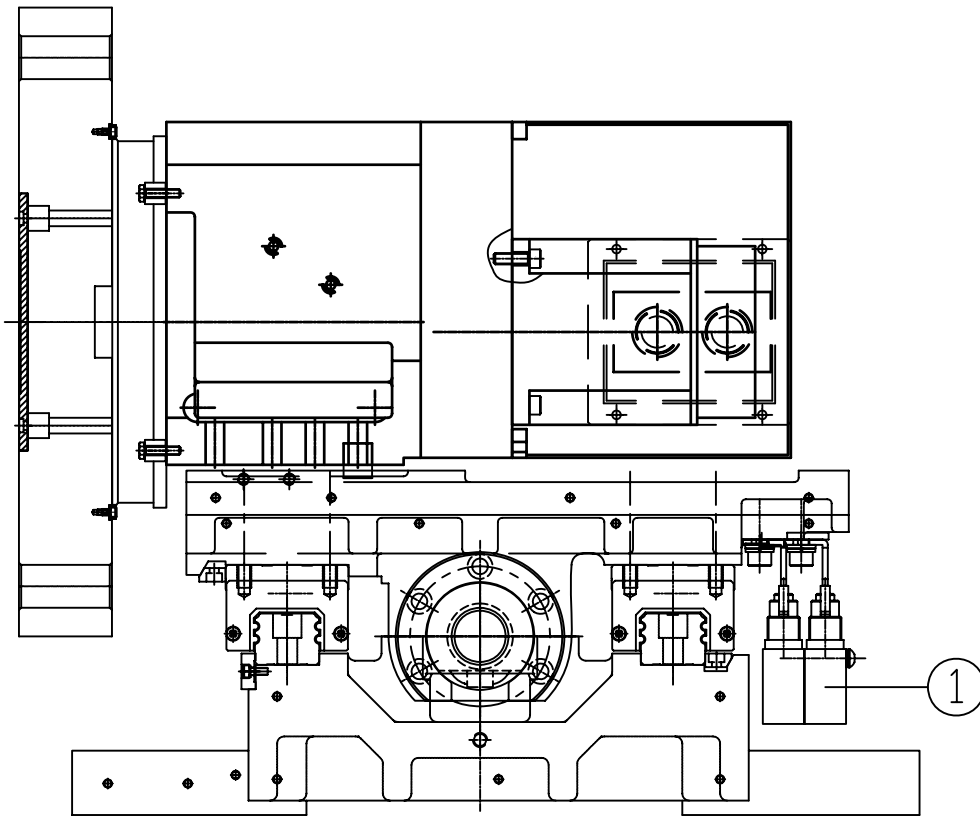


GS 8220iTC-P14 PARTS LIST

ITEM (項目)	PART NUMBER (零件料號)	SPECIFICATION (規格)	DESCRIPTION (說明)	QUANTITY (數量)
1	NV 00103590000	FG-23CA	NFB 把手 NFB HANDLE	1
2	NV 00115550000	C&H-3AR(KAUKAN)	熱交換器 COOLING AND HEAT EXCHANGE UNIT	1
3	NV 00034120107	HA-50AF(HABOR)	冷凍機 CHILLER (DP)	1

DRAWN	RACHEL-C	2007-06-01	NC TYPE	Oi-TC	MT TYPE	GS 150/200
CHECK	SUNNY-L	2007-06-01	DWG NO	E01\GS 8220iTC-P14	VERSION:A	
APPROVE	SUNNY-L	2007-06-01	PART NO	GS 8220iTCP		
TITLE	POWER CASE DOOR					
REF						

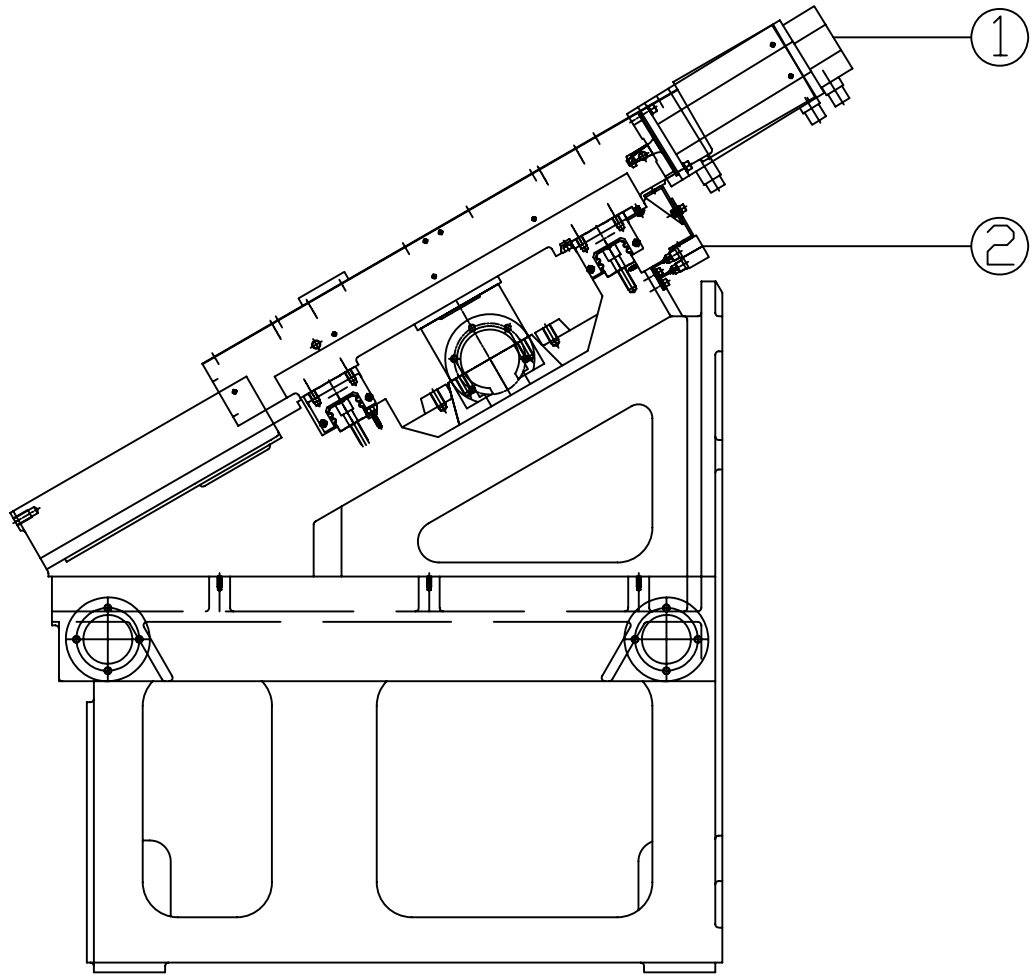
REV	DESCRIPTION	DATE	ECN.
A	RELEASE TO A	2007/06/01	TBLE0106



GS 8220iTC-P15 PARTS LIST				
ITEM (項目)	PART NUMBER (零件料號)	SPECIFICATION (規格)	DESCRIPTION (說明)	QUANTITY (數量)
1	NV 00102440000	SL1-A(YAMATAKE)	X AXSI REF/EM SWITCH	2

F	DRAWN	RACHEL-C	2007-06-01	NC TYPE	01-TC	MT TYPE	GS 200/66,GS 250
	CHECK	SUNNY-L	2007-06-01	DWG NO	E01\GS 8220iTC-P15	VERSION:A	
	APPROVE	SUNNY-L	2007-06-01	PART NO	GS 8220iTCP		
	TITLE	X AXIS					
	REF						

REV	DESCRIPTION	DATE	ECN.
A	RELEASE TO A	2007/06/01	TBLE0106

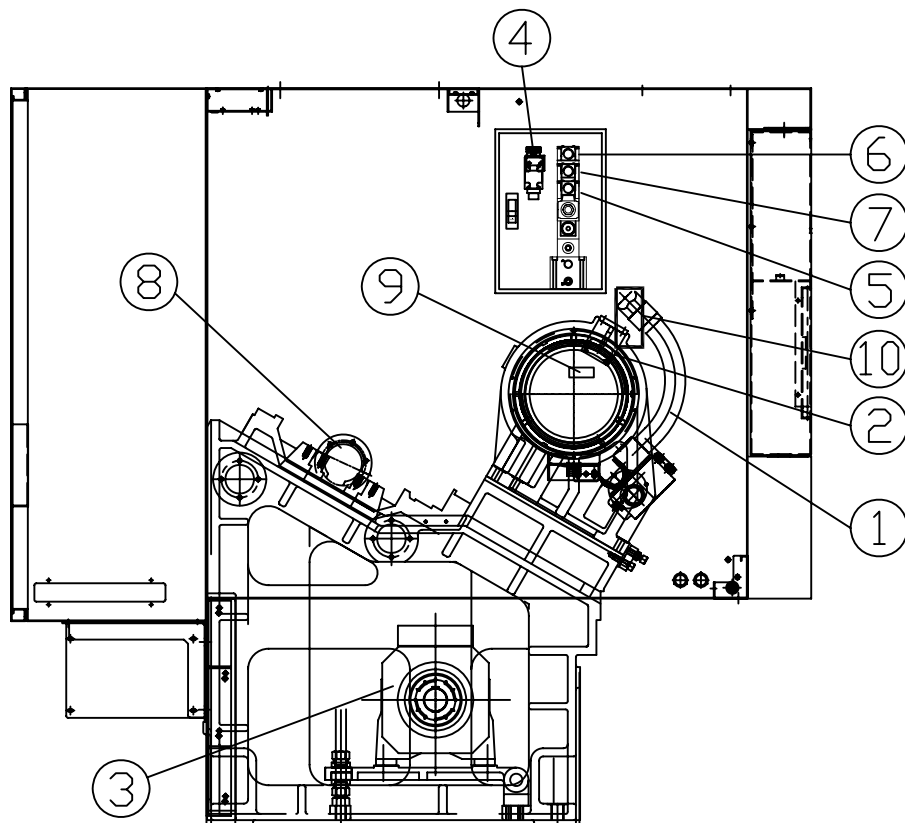


GS 8220iTC-P16 PARTS LIST

ITEM (項目)	PART NUMBER (零件料號)	SPECIFICATION (規格)	DESCRIPTION (說明)	QUANTITY (數量)
1	NV 00004000024	A06B-0227-B001 A8/3000i (FANUC)	X AXIS SERVO MOTOR	1
2	NV 00102440000	SL1-A(YAMATAKE)	Z AXSI REF/EM SWITCH	2

DRAWN	RACHEL-C	2007-06-01	NC TYPE	0i-TC	MT TYPE	GS 200/66,GS 250
CHECK	SUNNY-L	2007-06-01	DWG NO	E01\GS 8220iTC-P16	VERSION:A	
APPROVE	SUNNY-L	2007-06-01	PART NO	GS 8220iTCP		
TITLE	Z AXIS					
REF						

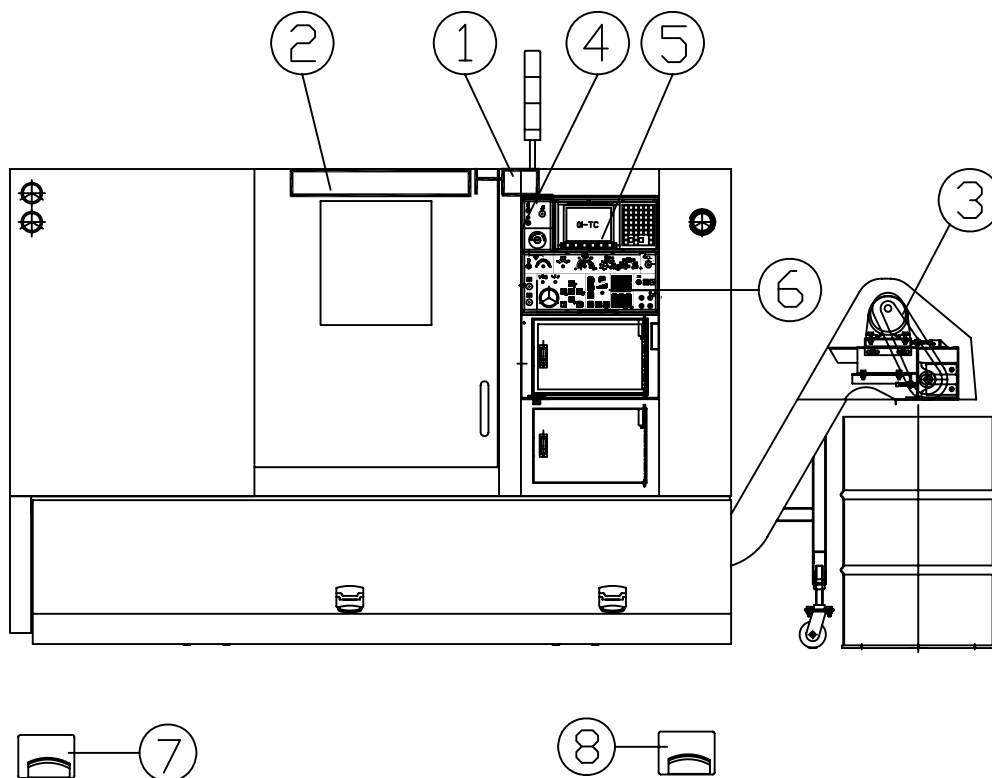
REV	DESCRIPTION	DATE	ECN.
A	RELEASE TO A	2007/06/01	TBLE0106



GS 8220iTC-P17 PARTS LIST				
ITEM (項目)	PART NUMBER (零件料號)	SPECIFICATION (規格)	DESCRIPTION (説明)	QUANTITY (數量)
1	BL 00028340401	A-2197-2006	TOOL PROBE ARM	1
2	NV 00081480001	MSK-015-1024-08 (SUMTAK)	SPD. ROT. SPEED SENSOR	1
3	BL 00004000436	A06B-1451-B253 (A22P/6000i)	SPINDLE MOTOR (for Cs axis)	1
3-1	BL 00004000437	A06B-1451-B250 (A22P/6000i)	SPINDLE MOTOR	1
4			CHUCK PRESSURE DETECT	1
5			CHUCK INWARD/OUTWARD SOLENOID	1
6			SPINDLE LOCK SOLENOID	1
7			SPINDLE PRELOCK SOLENOID	1
8	NV 00004000026	A06B-0243-B101 A12/3000i	Z AXIS SERVO MOTOR	1
9	NV 00028340012	E2E-X3D2-N (OMRON)	PROXIMITY SWITCH (FOR CE)	2
10	NV 00102440020	XCSPA791+XCSZ15 (TE)	DOOR SWITCH (FOR CE)	1

DRAWN	RACHEL-C	2007-06-01	NC TYPE	01-TC	MT TYPE	GS 200/66,GS 250
CHECK	SUNNY-L	2007-06-01	DWG NO	E01\GS 8220iTC-P17		VERSION:A
APPROVE	SUNNY-L	2007-06-01	PART NO	GS 8220iTCP		
TITLE	SPINDLE MOTOR/CHUCK SOLENOID					
REF						

REV	DESCRIPTION	DATE	ECN.
A	RELEASE TO A	2007/06/01	TBLE0106

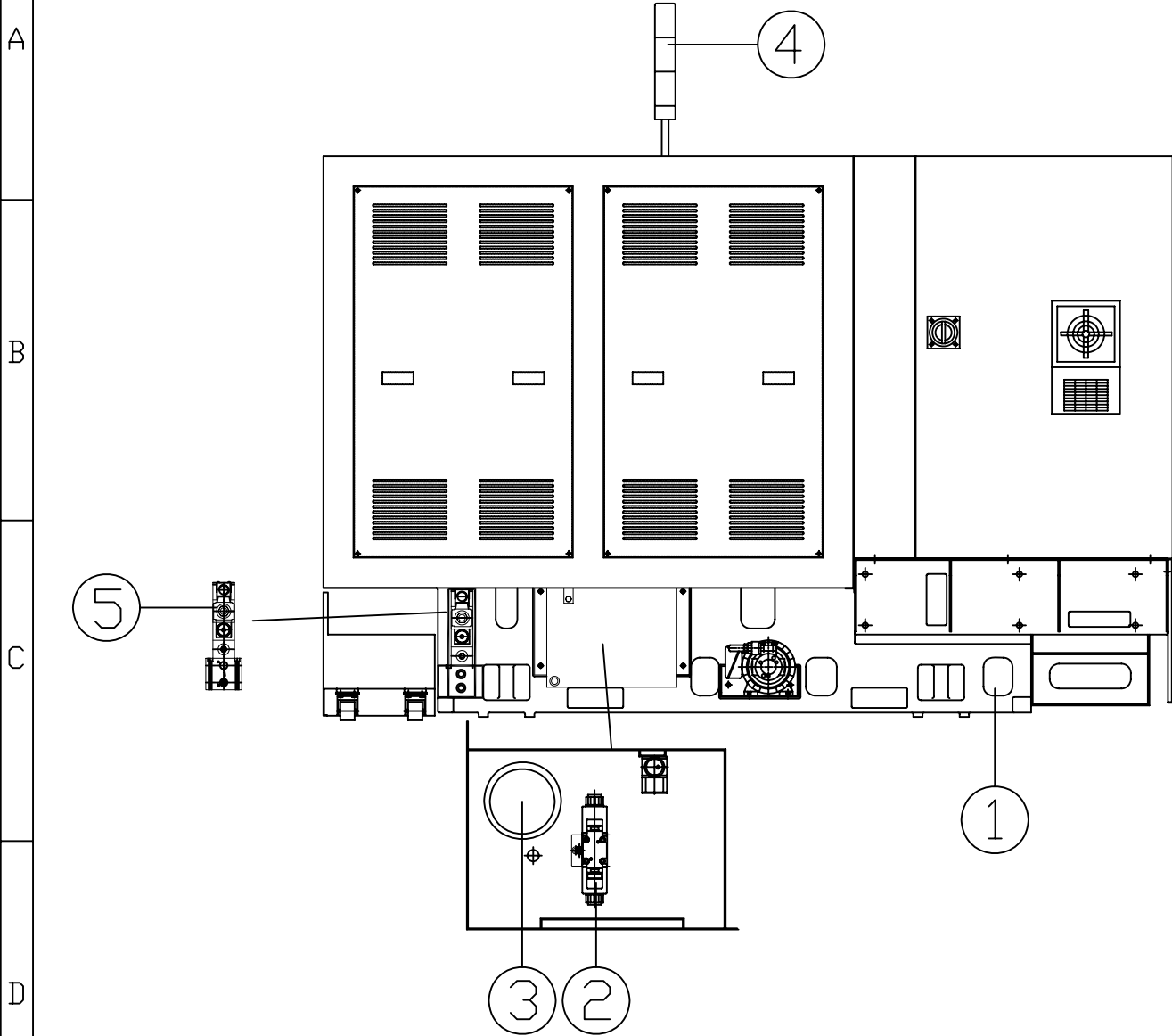


GS 8220iTC-P18 PARTS LIST

ITEM (項目)	PART NUMBER (零件料號)	SPECIFICATION (規格)	DESCRIPTION (説明)	QUANTITY (數量)
1-1	BL 00102440001	MP1-628AS-M	DOOR SWITCH	1
1-2	BL 00102440000	TP3-41421A-024M+ 070046	DOOR SWITCH (FOR CE)	1
2	NV 00089150004	AC24V 36W	WORK LAMP	1
3		3 PHASE 200W	CHIP CONVEYOR MOTOR	1
4	BL 000327901B	ASSM	NC POWER PANEL	1
5	BL 00004000200	A02B-0279-C081#TA 8.4"LCD	LCD/MDI UNIT	1
6	BL 000327906 BL 000327907	FDR WITHOUT POWER TOOLING FDR WITH POWER TOOLING	MAIN OPERATION PAENL (BL-DP01-003)	1
7	BL 00102240002	IP7007 (PEDALIERA 1NA LENTO)	CHUCK FOOT SWITCH	1
8	BL 00102240002	IP7007 (PEDALIERA 1NA LENTO)	TAILSTOCK BODY SHAFT FOOT SWITCH	2

DRAWN	RACHEL-C	2007-06-01	NC TYPE	01-TC	MT TYPE	GS 200/66,GS 250
CHECK	SUNNY-L	2007-06-01	DWG NO	E01\GS 8220iTC-P18		VERSION:A
APPROVE	SUNNY-L	2007-06-01	PART NO	GS 8220iTCP		
TITLE	FRONT VIEW					
REF						

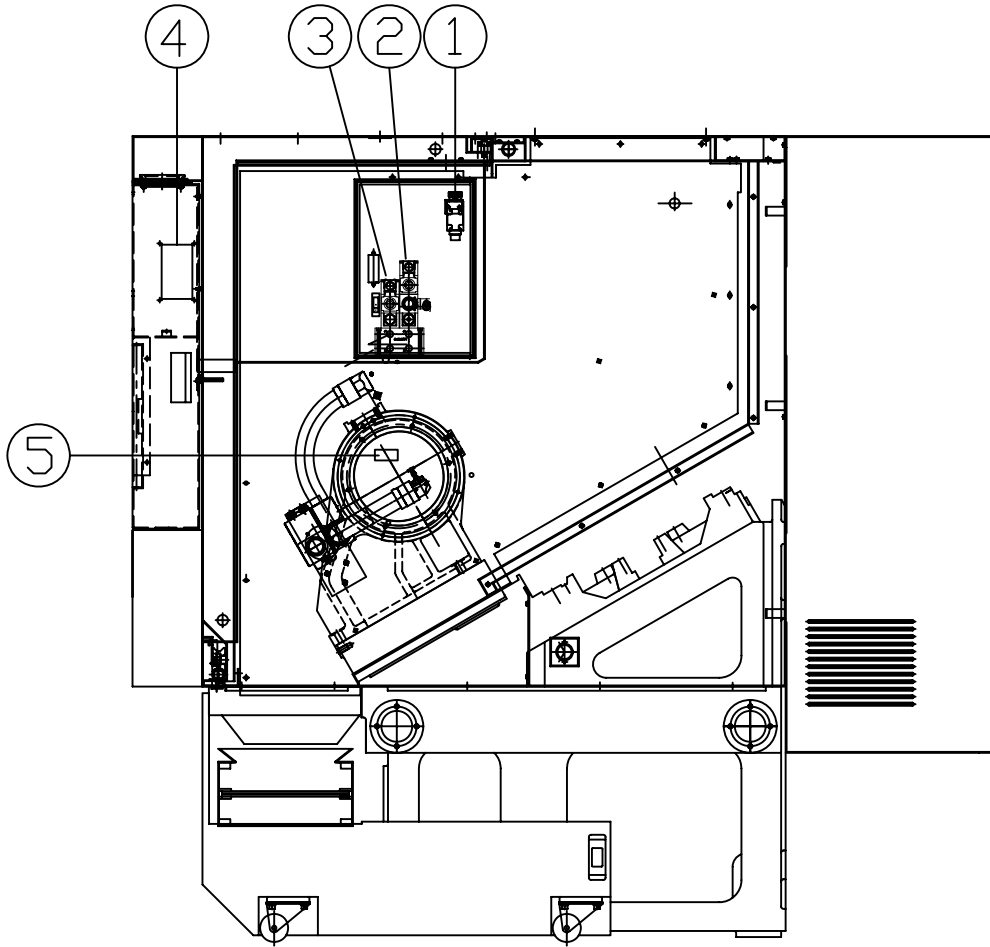
REV	DESCRIPTION	DATE	ECN.
A	RELEASE TO A	2007/06/01	TBLE0106



GS 8220iTC-P19 PARTS LIST				
ITEM (項目)	PART NUMBER (零件料號)	SPECIFICATION (規格)	DESCRIPTION (說明)	QUANTITY (數量)
1	BL 00033250103	MTH2-30/3 [GRUNDFOS]	COOLANT MOTOR	1
2			TURRET CLAMP SOLENOID	1
3		3 PHASE 2HP	HYD. PUMP MOTOR	1
4-1	BL 00120450200	DC24V (G/R/Y/BZ)	TOWER LIGHT & BUZZER (3 COLOR) (OP)	1
4-2	NV 00120450202	KPE-650S DC24V 30mm	BUZZER<STAND>	1
5			TAILSTOCK BODY SOLENOID	1

DRAWN	RACHEL-C	2007-06-01	NC TYPE	Oi-TC	MT TYPE	GS 200/66,GS 250
CHECK	SUNNY-L	2007-06-01	DWG NO	E01\GS 8220iTC-P19		VERSION:A
APPROVE	SUNNY-L	2007-06-01	PART NO	GS 8220iTCP		
TITLE	REAR VIEW					
REF						

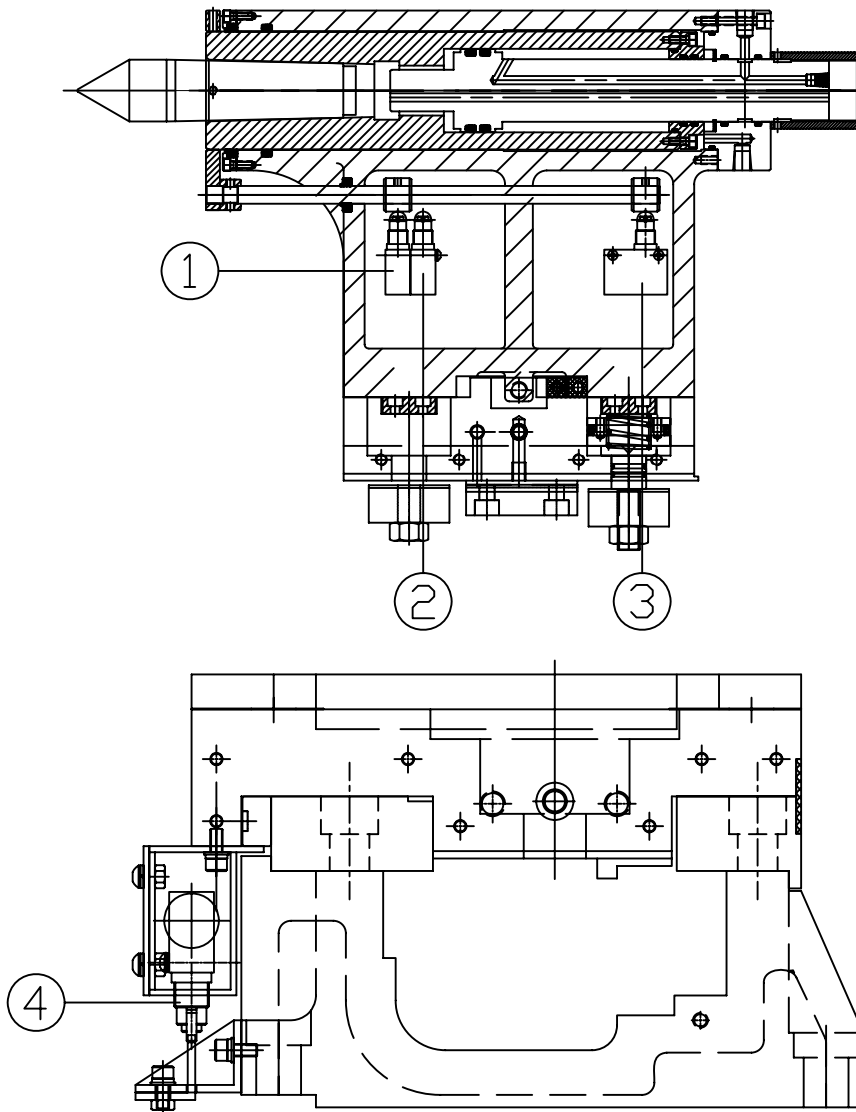
REV	DESCRIPTION	DATE	ECN.
A	RELEASE TO A	2007/06/01	TBLE0106



GS 8220iTC-P20 PARTS LIST				
ITEM (項目)	PART NUMBER (零件料號)	SPECIFICATION (規格)	DESCRIPTION (說明)	QUANTITY (數量)
1			TAILSTOCK BODY FORWARD END DETECT	1
2			TAILSTOCK BODY SHAFT SOLENOID	1
3			TAILSTOCK SHAFT SLOW DOWN SOLENOID	1
4	BL 0003011I32X	ASSM	RS232C INTERFACE	1
5	NV 00028340012	E2E-X3D2-N (OMRON)	PROXIMITY SWITCH (FOR CE)	2

DRAWN	RACHEL-C	2007-06-01	NC TYPE	01-TC	MT TYPE	GS 200/66,GS 250
CHECK	SUNNY-L	2007-06-01	DWG NO	E01\GS 8220iTC-P20	VERSION:A	
APPROVE	SUNNY-L	2007-06-01	PART NO	GS 8220iTCP		
TITLE	RIGHT SIDE					
REF						

REV	DESCRIPTION	DATE	ECN.
A	RELEASE TO A	2007/06/01	TBLE0106

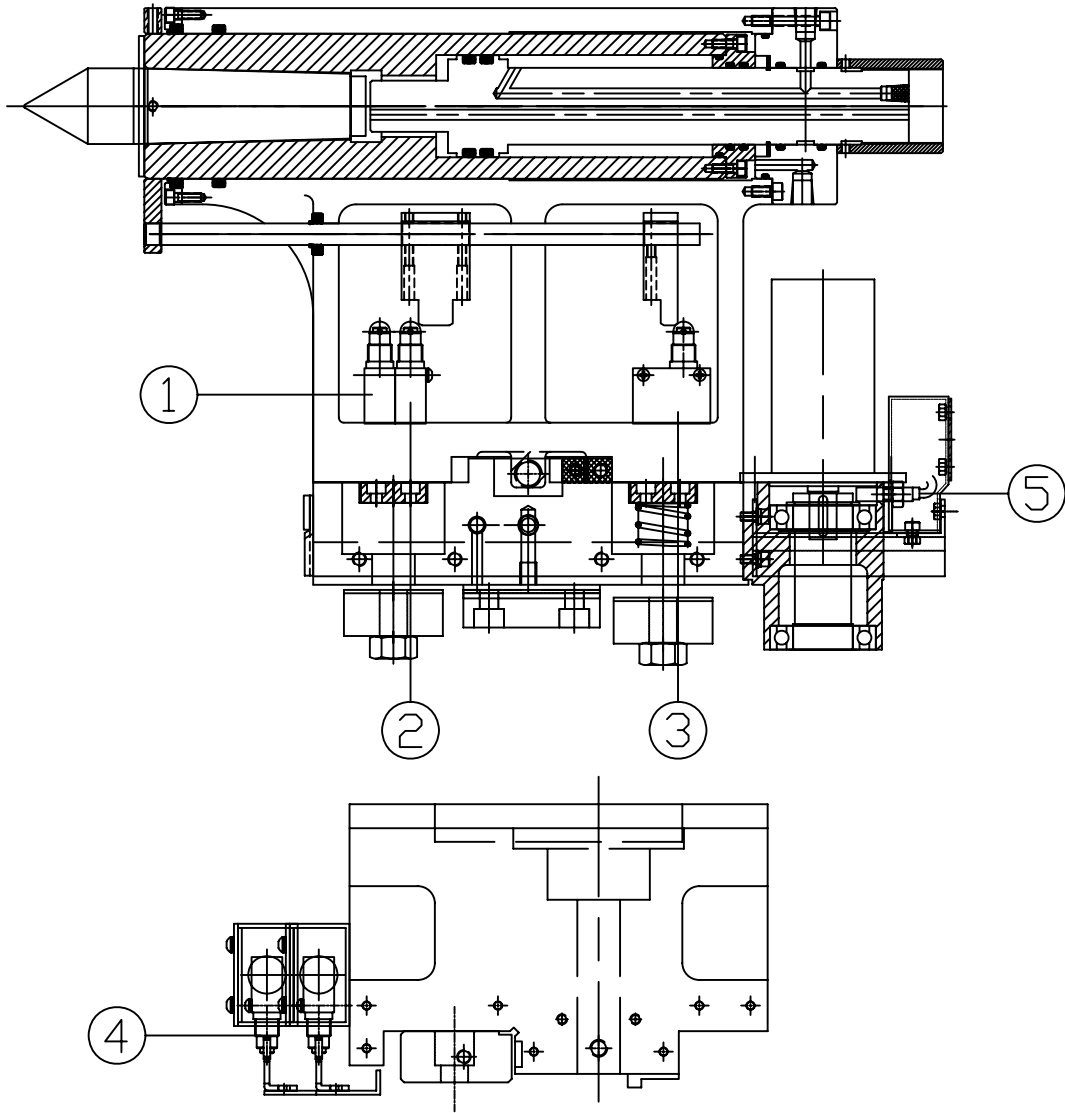


GS 8220iTC-P21 PARTS LIST

ITEM (項目)	PART NUMBER (零件料號)	SPECIFICATION (規格)	DESCRIPTION (說明)	QUANTITY (數量)
1	NV 00102440001	SL1-D(YAMATAKE)	TAILSTOCK SHAFT FORWARD END SWITCH	1
2	NV 00102440001	SL1-D (YAMATAKE)	TAILSTOCK SHAFT SLOW DOWN SWITCH	1
3	NV 00102440000	SL1-A (YAMATAKE)	TAILSTOCK SHAFT RETRACT SWITCH	1
4	NV 00102440000	SL1-A(YAMATAKE)	TAILSTOCK BODY FOR/REV SWITCH	2

DRAWN	RACHEL-C	2007-06-01	NC TYPE	OI-TC	MT TYPE	GS 200/66,GS 250
CHECK	SUNNY-L	2007-06-01	DWG NO	E01\GS 8220iTC-P21		VERSION:A
APPROVE	SUNNY-L	2007-06-01	PART NO	GS 8220iTCP		
TITLE	TAILBODY_LIMIT SW.					
REF						

REV	DESCRIPTION	DATE	ECN.
A	RELEASE TO A	2007/06/01	TBLE0106



GS 8220iTC-P21A PARTS LIST				
ITEM (項目)	PART NUMBER (零件料號)	SPECIFICATION (規格)	DESCRIPTION (說明)	QUANTITY (數量)
1	NV 00102440001	SL1-D(YAMATAKE)	TAILSTOCK SHAFT FORWARD END SWITCH	1
2	NV 00102440001	SL1-D (YAMATAKE)	TAILSTOCK SHAFT SLOW DOWN SWITCH	1
3	NV 00102440000	SL1-A (YAMATAKE)	TAILSTOCK SHAFT RETRACT SWITCH	1
4	NV 00102440000	SL1-A(YAMATAKE)	TAILSTOCK BODY FOR/REV SWITCH	2
5	NV 00028340019	9981-2000	TAILSTOCK BODY FOR/REV COUNTER	1

DRAWN	RACHEL-C	2007-06-01	NC TYPE	Oi-TC	MT TYPE	GS 200/66L,GS 250L
CHECK	SUNNY-L	2007-06-01	DWG NO	E01\GS 8220iTC-P21A	VERSION:A	
APPROVE	SUNNY-L	2007-06-01	PART NO	GS 8220iTCP		
TITLE	TAILBODY_LIMIT SW.					
REF						

1

2

3

4

REV	DESCRIPTION	DATE	ECN.
A	RELEASE TO A	2007/06/01	TBLE0106

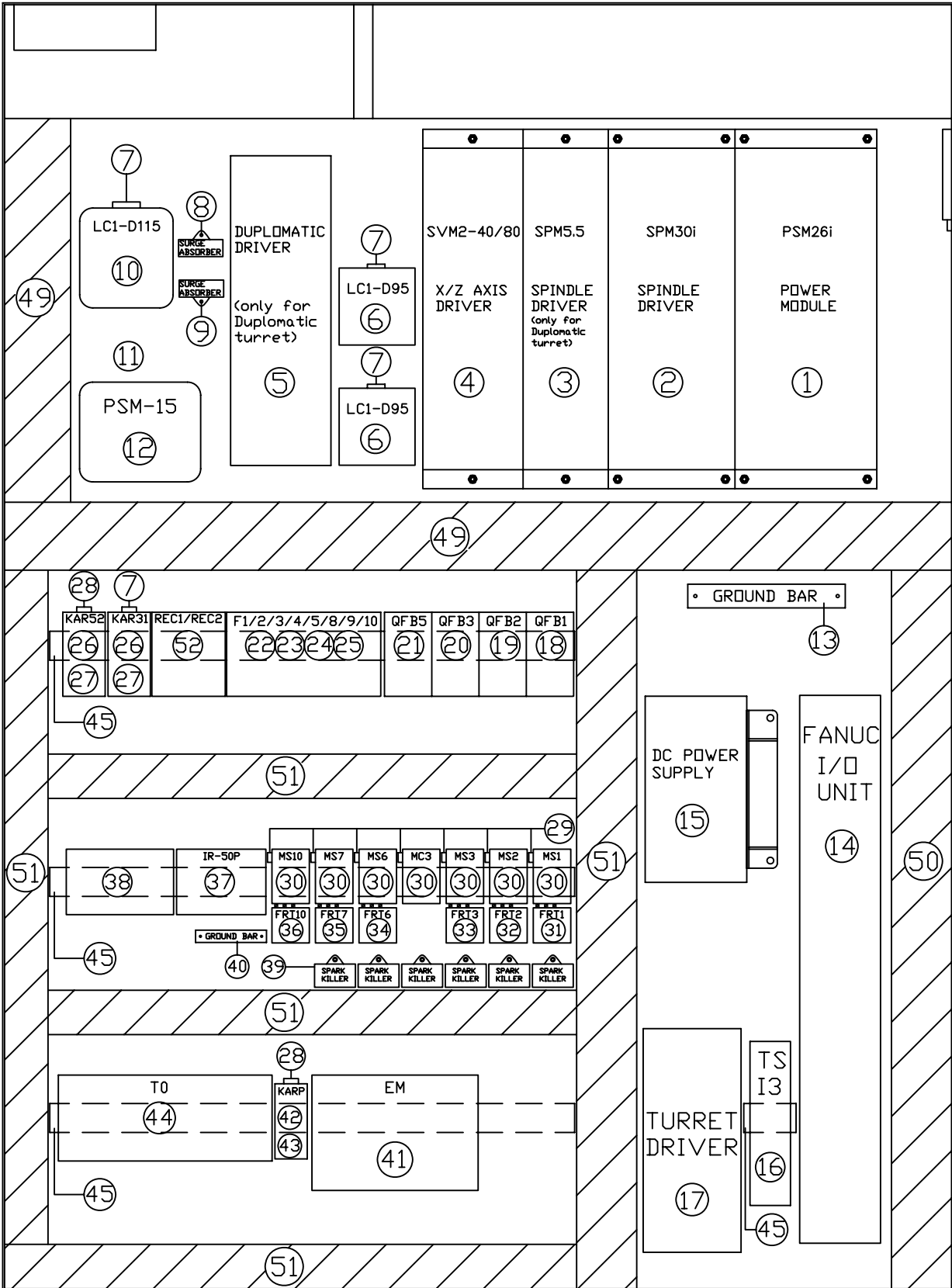
A

B

C

D

E



DRAWN	RACHEL-C	2007-06-01	NC TYPE	Oi-TC	MT TYPE	GS 200/66,GS 250
CHECK	SUNNY-L	2007-06-01	DWG NO	E01\GS 8220iTC-P22		VERSION:A
APPROVE	SUNNY-L	2007-06-01	PART NO	GS 8220iTCP		
TITLE	POWER CASE					
REF						

1

2

3

4

REV	DESCRIPTION	DATE	ECN.
A	RELEASE TO A	2007/06/01	TBLE0106

GS 8220iTC-P22 PARTS LIST

ITEM (項目)	PART NUMBER (零件料號)	SPECIFICATION (規格)	DESCRIPTION (說明)	QUANTITY (數量)
1	NV 00004000504	A06B-6110-H026 (PSM-26i)	電力模組 POWER MODULE	1
2	NV 00004000435	A06B-6111-H030#H550 (SPM-30i)	主軸驅動器 SPD. SERVO DRIVER	1
3	NV 00004000432	A06B-6111-H006#H550 (SPM-5.5i)	主軸驅動器 SPD. SERVO DRIVER	1
4	NV 00004000425	A06B-6114-H208 (SVM2-40/80i)	伺服驅動器 SERVO DRIVER	1
5	BL 000000804CE	DDC1-30-K20/22	DOUPLMATIC 動力刀塔驅動器 DOUPLMATIC TURRET DRIVE	1
6	NV 00100160106	LC1D095M7 50/60HZ AC220V	接觸器 MANNETIC CONTACTOR	2
7	NV 00112980101	SQ21150TFL (250V) (MARCON)	火花消除器 SPARK KILLER	4
8	NV 00004000610	RAV-781BYZ-2	突波吸收器 (線間) SURGE ABSORBER	1
9	NV 00004000611	RAV-781BXZ-4	突波吸收器 (線對地) SURGE ABSORBER	1
10	NV 00100160107	LC1D0115M7 50/60HZ	接觸器 MANNETIC CONTACTOR	1
11	NV 00112980208	FN 3258-75A-52	三相濾波器 3 PHASE FILTER	1
12	NV 00004000604	A81L-0001-0157	AC 電抗器 AC REACTOR	1
13	NV 001188800	1-14(14 HOLES)	接地銅條 GROUND BAR	1
14	NV 00004000377	A02B-0309-C001	FANUC DI/DO 單元 FANUC DI/DO UNIT	1
15	NV 00087760306	S-250-24 DC24V/10A	DC 電源供應器 DC POWER SUPPLY	1
16	BL 00028340400	TSI3 A-2181-0465	刀具量測控制器 TOOL PROBE CONTROLLER (OP)	1
17	BL 00118490043	MR-J2-60D-S24	伺服刀塔控制器 TURRET CONTROLLER	1
18	NV 00100170002	SERIES/6000 C16 (GE)	無熔絲開關 (3P 16A) NO FUSE BREAKER	1
19	NV 00100170001	SERIES/6000 C2 (GE)	無熔絲開關 (3P 2A) NO FUSE BREAKER	1
20	NV 00100170002	SERIES/6000 C16 (GE)	無熔絲開關 (3P 16A) NO FUSE BREAKER (OP)	1
21	NV 00100170019	SERIES/6000 C3 (GE)	無熔絲開關 (2P 3A) NO FUSE BREAKER (OP)	1
22	NV 00096100005	10*38 6A (GOULD)	保險絲 (F1/F2) FUSE	2
23	NV 00096100003	10*38 4A (GOULD)	保險絲 (F3/F4) FUSE	2
24	NV 00096100001	10*38 2A (GOULD)	保險絲 (F5) FUSE	1

F	DRAWN	RACHEL-C	2007-06-01	NC TYPE	Oi-TC	MT TYPE	GS 200/66,GS 250
	CHECK	SUNNY-L	2007-06-01	DWG NO	E01\GS 8220iTC-P23		VERSION:A
	APPROVE	SUNNY-L	2007-06-01	PART NO	GS 8220iTCP		
	TITLE	POWER CASE BOM					
	REF						

1	2	3	4
	REV	DESCRIPTION	DATE
	A	RELEASE TO A	2007/06/01
			TBLE0106

A

GS 8220iTC-P22 PARTS LIST

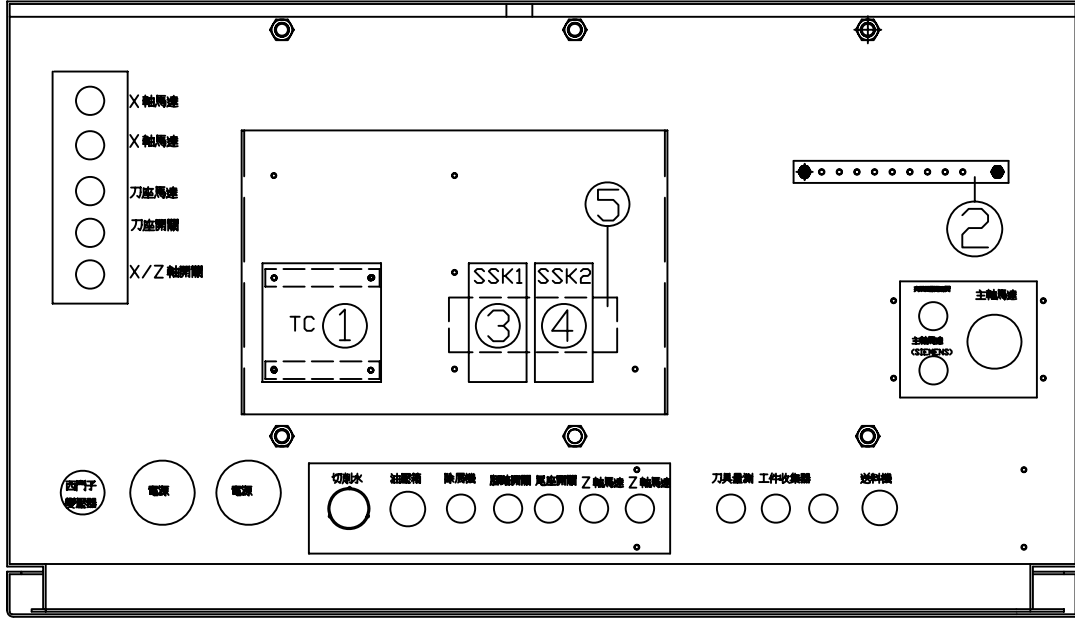
B

ITEM (項目)	PART NUMBER (零件料號)	SPECIFICATION (規格)	DESCRIPTION (說明)	QUANTITY (數量)
25	NV 00096100000	10*38 1A (GOULD)	保險絲 (F8/F9/F10) FUSE	3
26	NV 00011220009	MY2NJ DC24V (OMRON)	繼電器 RELAY	2
27	NV 00011220106	PYF-08AE	繼電器座 RELAY SOCKET	2
28	NV 00112980001	IN4007	二極體 DIODE	2
29	NV 00112980100	SQ13150TFL (110V) (MARCON)	火花消除器 SPARK KILLER	7
30	NV 00100160105	LC1D096F7	電磁接觸器 MAGNETIC CONTACTOR	7
31	NV 00098330019 NV 00098330012	LR3D086 2.5A~4A LR3D0146 7~10A	過載電器 THERMAL RELAY	1
32	NV 00098330012	LR3D0146 7~10A	過載電器 THERMAL RELAY	1
33	NV 00098330010	LR3D066 1.0~1.6A	過載電器 THERMAL RELAY	1
34	NV 00098330012	LR3D0146 7~10A	過載電器 THERMAL RELAY	1
35	NV 00098330019	LR3D086 2.5A~4A	過載電器 THERMAL RELAY	1
36	NV 00098330016	LR3D016 0.1~0.16A	過載電器 THERMAL RELAY	1
37	BL 00117910033	IR-50P	轉接板 TERMINAL P.C.B	1
38	BL 00004000332	A20B-2002-0521	I/O 卡 I/O CARD	1
39	NV 00112980200	0.47U 47 OM 250VAC (MARCON)	火花消除器 SPARK KILLER	6
40	NV 001188801	1-7 (HOLE)	接地銅條 GROUND BAR	1
41	NV 00117910027	EMG-002M	緊急迴路 EM P.C.B	1
42	NV 00011220001	LY4NJ DC24V (OMRON)	繼電器 RELAY	1
43	NV 00011220011	PTF-14AE	繼電器座 RELAY SOCKET	1
44	NV 00113020001 NV 00113020100	LEGRAND SLDC-B15A (SAN HD)	接線盤 TERMINAL BLOCK	1
45	NV 00113021000	春日型 (山河)	鉸軌 GUIDE	4
46	NV 00118500000	FG-120 41/2" (SAN JUN)	風扇保護網 FAN FINGER GUARD	1
47	NV 00115550201	SJ1238 HA1 SAT AC110V	風扇 FAN	1
48	NV 00118500001	PFG120	過濾網 FIELTER NET	1

F

DRAWN	RACHEL-C	2007-06-01	NC TYPE	Oi-TC	MT TYPE	GS 200/66,GS 250
CHECK	SUNNY-L	2007-06-01	DWG NO	E01\GS 8220iTC-P24		VERSION:A
APPROVE	SUNNY-L	2007-06-01	PART NO	GS 8220iTCP		
TITLE	POWER CASE BOM					
REF						

REV	DESCRIPTION	DATE	ECN.
A	RELEASE TO A	2007/06/01	TBLE0106

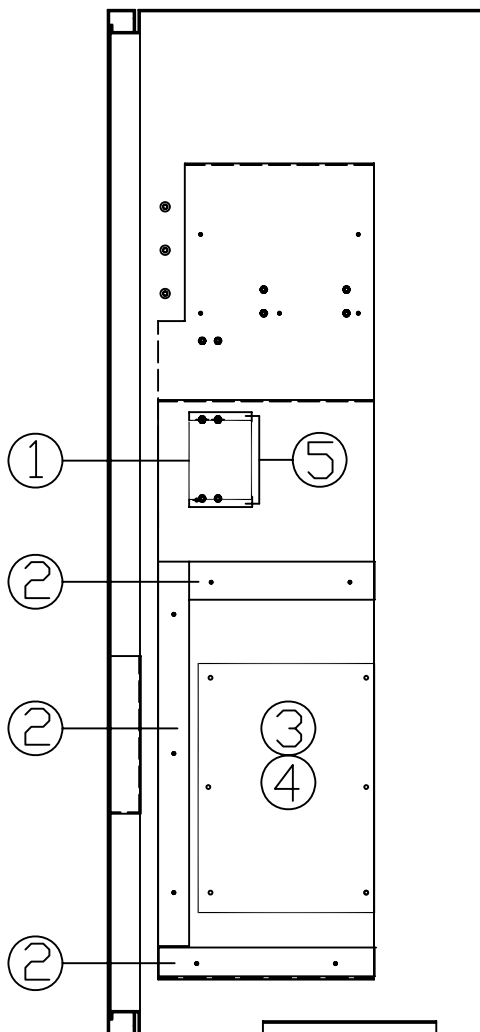


GS 8220iTC-P26 PARTS LIST

ITEM (項目)	PART NUMBER (零件料號)	SPECIFICATION (規格)	DESCRIPTION (說明)	QUANTITY (數量)
1	NV 00087760006	0-110V,0-19-24V, 0-20-24V	變壓器 TRANSFORMER	1
2	NV 001188800	1-14(14 HOLES)	接地銅條 GROUND BAR	1
3	NV 00004031001	XPS-AC 5121	安全模組 SAFTY RELAY	1
4	NV 00102440016	XPS-AF 5130 (TE)	安全模組 SAFTY RELAY	1
5	NV 00113021000	春日型 (山河)	鉸軌 GUIDE	1

DRAWN	RACHEL-C	2007-06-01	NC TYPE	Oi-TC	MT TYPE	GS 200/66,GS 250
CHECK	SUNNY-L	2007-06-01	DWG NO	E01\GS 8220iTC-P26		VERSION:A
APPROVE	SUNNY-L	2007-06-01	PART NO	GS 8220iTCP		
TITLE	POWER CASE BOTTOM					
REF						

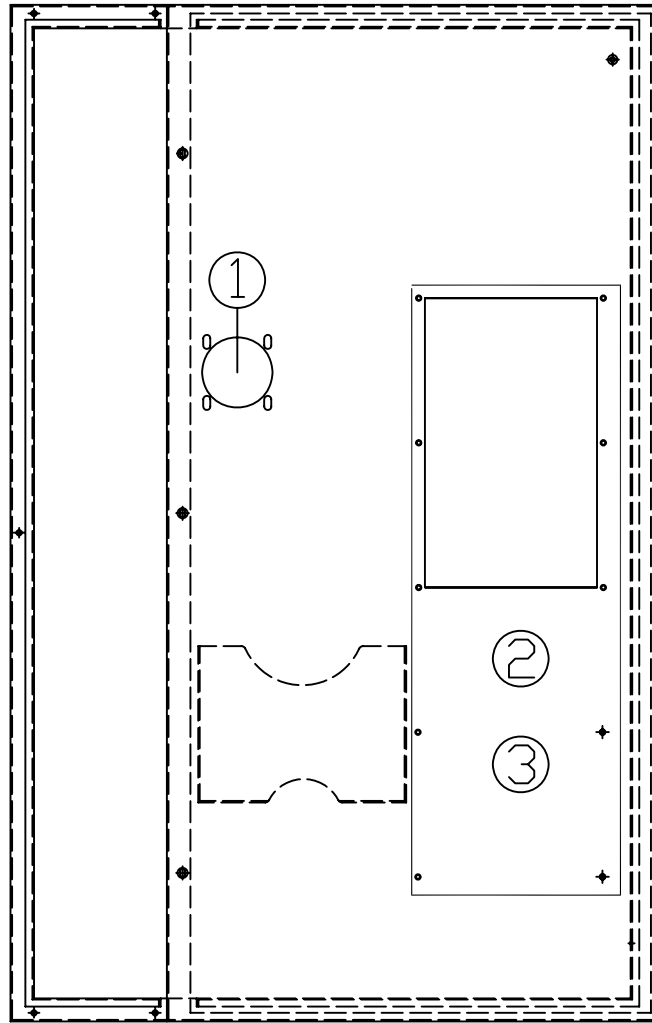
REV	DESCRIPTION	DATE	ECN.
A	RELEASE TO A	2007/06/01	TBLE0106



GS 8220iTC-P27 PARTS LIST				
ITEM (項目)	PART NUMBER (零件料號)	SPECIFICATION (規格)	DESCRIPTION (說明)	QUANTITY (數量)
1	NV 00100170000	T0-225E 3P 125A	無熔絲開關 NO FUSE BREAKER	1
2	NV 00108211002	45mm*65mm	絕緣配線槽 WIRING DUCT	3
3	NV 00117910022	VMC-CRI0-001	繼電器板 RELAY P.C.B (OP)	1
4	BL 00117910007	BL-CRI0-003	繼電器板 RELAY P.C.B	1
5	NV 00108211101	V89447	NFB 保護蓋 NFB COVER	2

DRAWN	RACHEL-C	2007-06-01	NC TYPE	Oi-TC	MT TYPE	GS 200/66,GS 250
CHECK	SUNNY-L	2007-06-01	DWG NO	E01\GS 8220iTC-P27	VERSION:A	
APPROVE	SUNNY-L	2007-06-01	PART NO	GS 8220iTCP		
TITLE	POWER CASE LEFT SIDE					
REF						

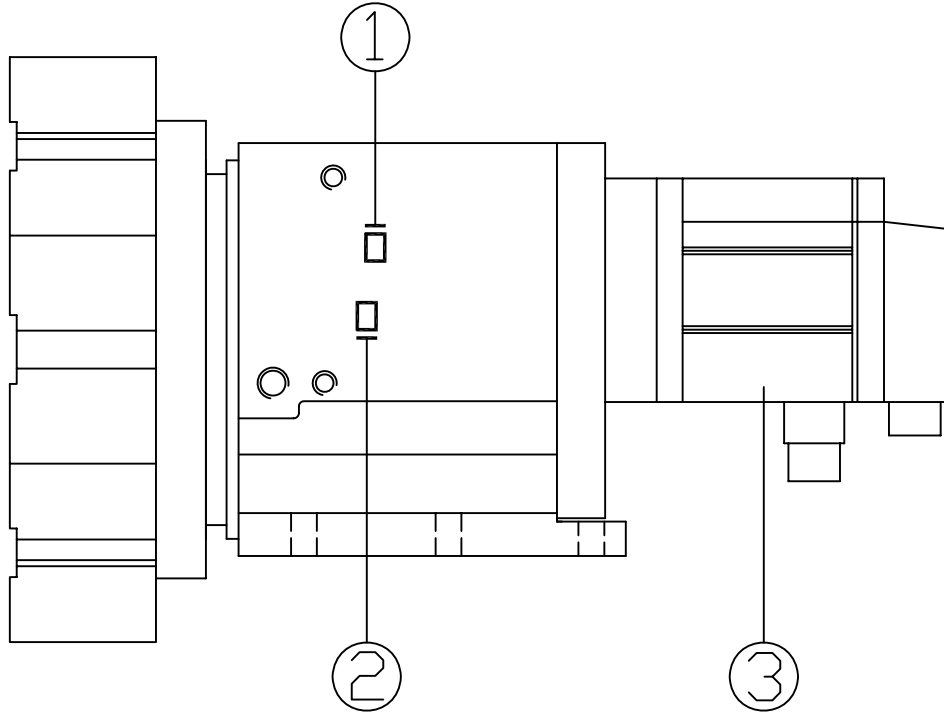
REV	DESCRIPTION	DATE	ECN.
A	RELEASE TO A	2007/06/01	TBLE0106



GS 8220iTC-P28 PARTS LIST				
ITEM (項目)	PART NUMBER (零件料號)	SPECIFICATION (規格)	DESCRIPTION (說明)	QUANTITY (數量)
1	NV 00103590000	FG-23CA	NFB 把手 NFB HANDLE	1
2	NV 00115550000	C&H-3AR(KAUKAN)	熱交換器 COOLING AND HEAT EXCHANGE UNIT	1
3	NV 00034120107	HA-50AF(HABOR)	冷凍機 CHILLER (DP)	1

F	DRAWN	RACHEL-C	2007-06-01	NC TYPE	Oi-TC	MT TYPE	GS 200/66,GS 250
	CHECK	SUNNY-L	2007-06-01	DWG NO	E01\GS 8220iTC-P28	VERSION:A	
	APPROVE	SUNNY-L	2007-06-01	PART NO	GS 8220iTCP		
	TITLE	POWER CASE DOOR					
	REF						

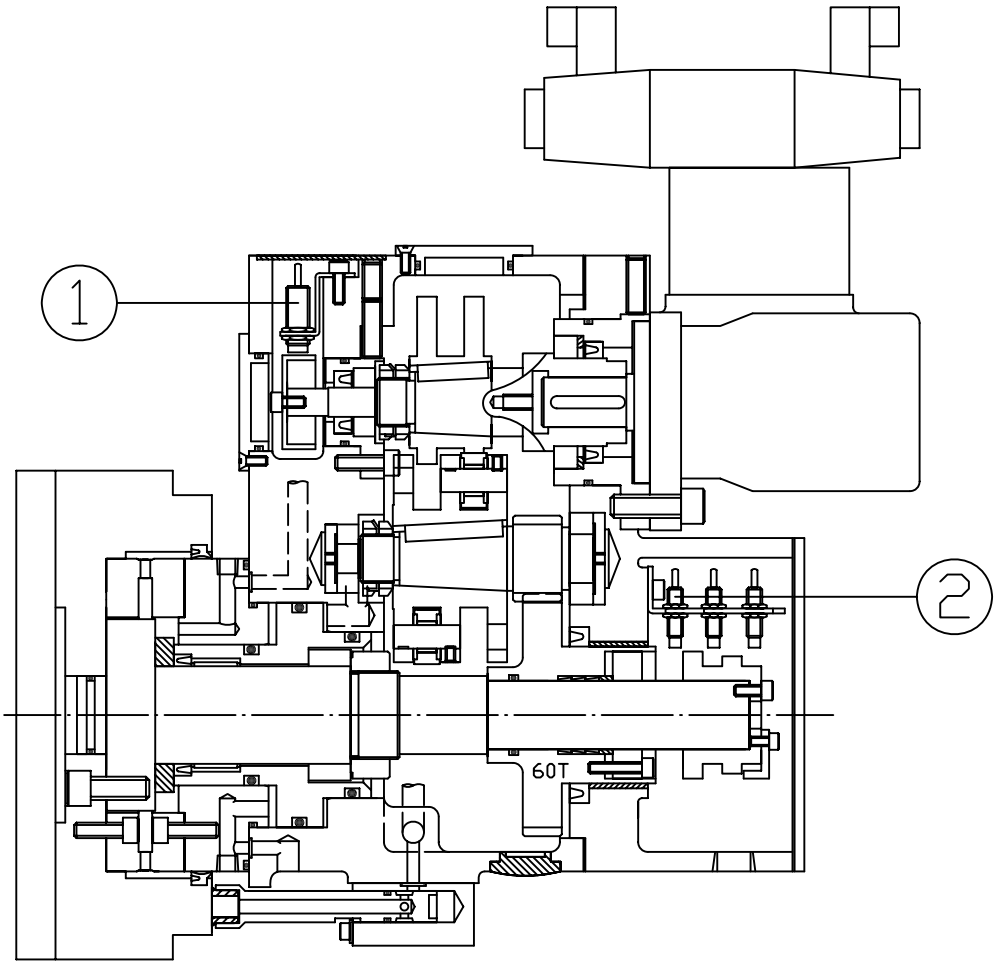
REV	DESCRIPTION	DATE	ECN.
A	RELEASE TO A	2007/06/01	TBLE0106



GS 8220iTC-P29 PARTS LIST				
ITEM (項目)	PART NUMBER (零件料號)	SPECIFICATION (規格)	DESCRIPTION (說明)	QUANTITY (數量)
1	BL 00028340000	E2E-X2D1-N	CLAMP SENSOR	1
2	BL 00028340000	E2E-X2D1-N	UNCLAMP SENSOR	1
3	BL 00004030000	HC-SF53	TURRET SERVO MOTOR	1

DRAWN	RACHEL-C	2007-06-01	NC TYPE	Oi-TC	MT TYPE	GS SERIES
CHECK	SUNNY-L	2007-06-01	DWG NO	E01\GS 8220iTC-P29	VERSION:A	
APPROVE	SUNNY-L	2007-06-01	PART NO	GS 8220iTCP		
TITLE	LIO SHING SERVO TURRET					
REF						

REV	DESCRIPTION	DATE	ECN.
A	RELEASE TO A	2007/06/01	TBLE0106

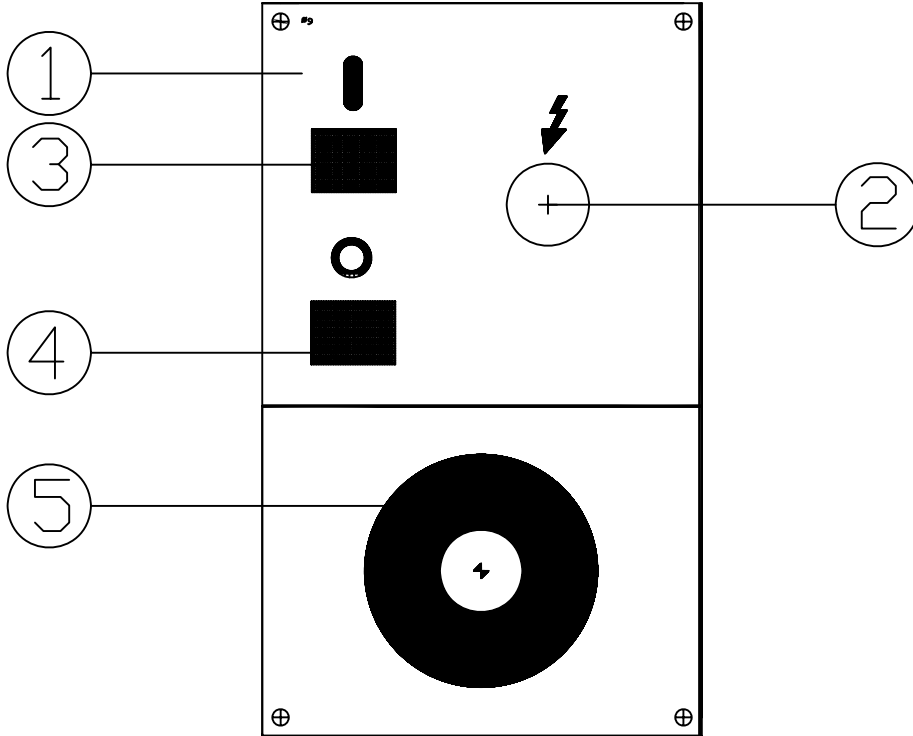


GS 8220iTC-P30 PARTS LIST

ITEM (項目)	PART NUMBER (零件料號)	SPECIFICATION (規格)	DESCRIPTION (說明)	QUANTITY (數量)
1	BL 00028340001	E2E-X1R5F1	PROXIMITY SWITCH	1
2	BL 00028340001	E2E-X1R5F1	PROXIMITY SWITCH	4

DRAWN	RACHEL-C	2007-06-01	NC TYPE	Oi-TC	MT TYPE	GS SERIES
CHECK	SUNNY-L	2007-06-01	DWG NO	E01\GS 8220iTC-P30		VERSION:A
APPROVE	SUNNY-L	2007-06-01	PART NO	GS 8220iTCP		
TITLE	LIO SHING HYDRAULIC TURRET					
REF						

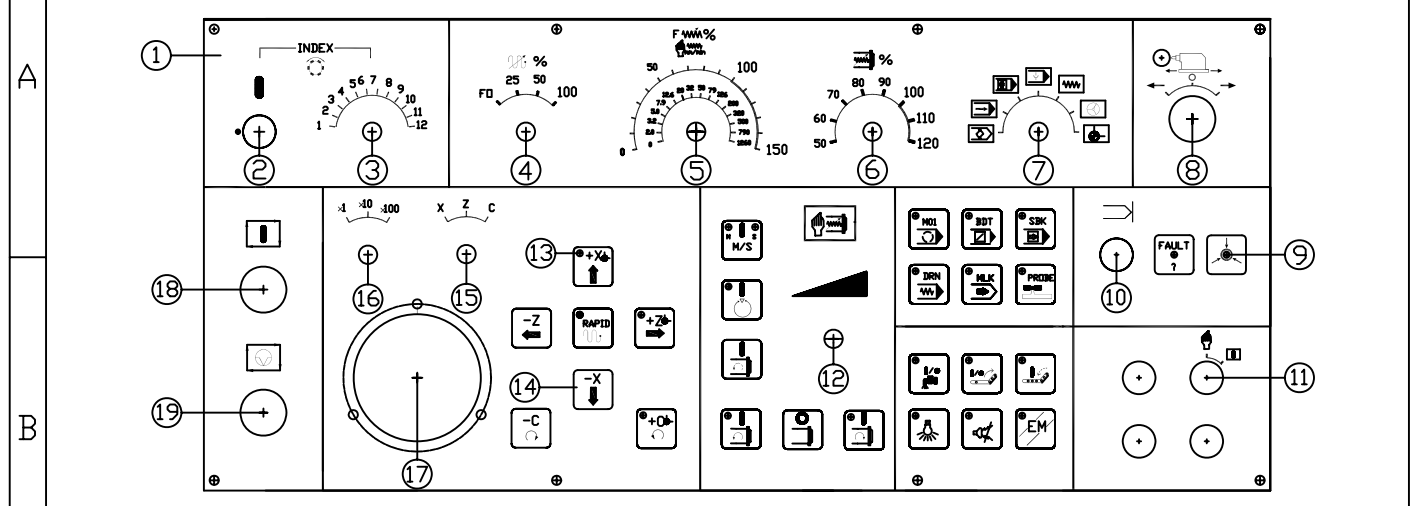
REV	DESCRIPTION	DATE	ECN.
A	RELEASE TO A	2007/06/01	TBLE0106



GS 8220iTC-P31 PARTS LIST				
ITEM (項目)	PART NUMBER (零件料號)	SPECIFICATION (規格)	DESCRIPTION (說明)	QUANTITY (數量)
1	BL 000327901B	ASSM	POWER PLANE	1
2	BL 00029110307	XB4BVM3-220V 22mm	POWER LAMP	1
3	BL 00036500011	1A 16mm - G	PUSH BOTTON	1
4	BL 00036500012	1B 16mm - R	PUSH BOTTON	1
5	NV 00036500203	ZB5 AT4 + ZB5 AZ104	EM PUSH BOTTON	1

DRAWN	RACHEL-C	2007-06-01	NC TYPE	Oi-TC	MT TYPE	GS SERIES
CHECK	SUNNY-L	2007-06-01	DWG NO	E01\GS 8220iTC-P31	VERSION:A	
APPROVE	SUNNY-L	2007-06-01	PART NO	GS 8220iTCP		
TITLE	POWER PANEL					
REF						

1	2	3	4	
REV		DESCRIPTION	DATE	ECN.
A		RELEASE TO A	2007/06/01	TBLE0106



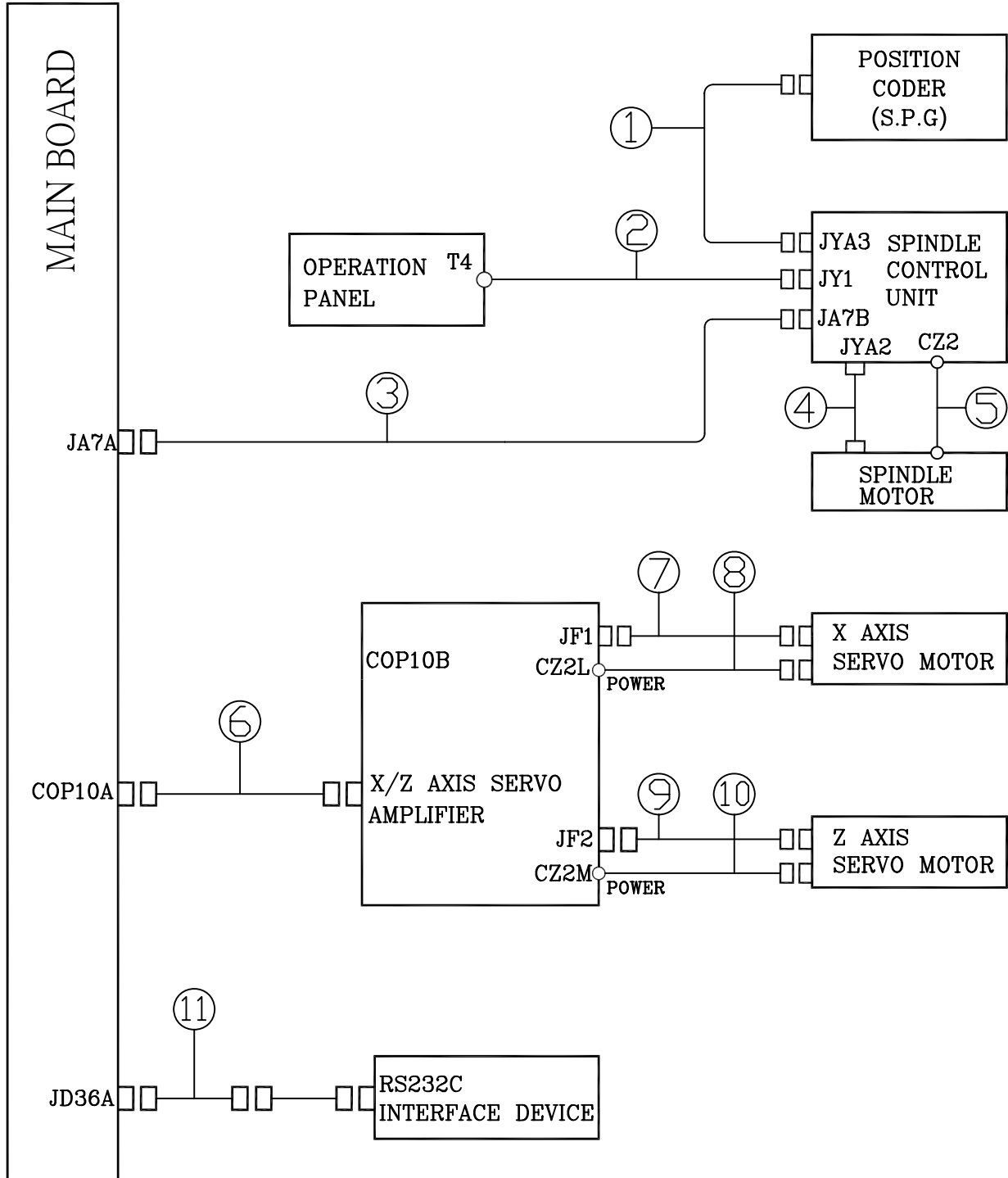
GS 8220iTC-P32 PARTS LIST

ITEM (項目)	PART NUMBER (零件料號)	SPECIFICATION (規格)	DESCRIPTION (說明)	QUANTITY (數量)
1	BL 000327906 BL 000327907	FOR WITHOUT POWER TOOLING FOR WITH POWER TOOLING	面板 Operation panel	1
2	BL 00036500010	1A 16mm(TE) XB6DW31B	照光復歸長方形按鈕開關 Push button	1
3	NV 00028350001	DP-02H-S02	旋轉開關 Rotaty switch	1
4	NV 00028350000	DP-02I-N-S02	旋轉開關 Rotaty switch	1
5	NV 00028350001	DP-02H-S02	旋轉開關 Rotaty switch	1
6	NV 00028350002	DP-04Q-N-S02	旋轉開關 Rotaty switch	1
7	NV 00028350003	DP-52N-S02	旋轉開關 Rotaty switch	1
8	BL 00028350007	XB4BD53-2A 22mm (TE)	三段選擇開關 Select switch	1
9	BL 00029110306	DC24V 8mm(黃)	發光二極體 LED	1
10	BL 00029110305	DC24V 16mm(黃)	指示燈 LAMP	1
11	BL 00028350009	XB6AGC1B-1A (TE)	圓型鑰提開關 KEY SELECT SWITCH	1
12-1	BL 00118490012	RV24YN 20S B102 (COSMOS)	可變電阻 Variable resister	1 (GS 150/200)
12-2	NV 00118490012	RV30YN 1K (COSMOS)	可變電阻 Variable resister	1 (GS 200/66,GS 250)
13	NV 00118490004	5mm / R	發光二極體 LED	20
14	BL 00036500100	B3F-4050 (OMRON)	按鈕開關 PUSH BUTTON	25
15	BL 00028350008	I-1-11	旋轉開關 ROTATY SWITCH	1
16	BL 00028350008	I-1-11	旋轉開關 ROTATY SWITCH	1
17	BL 00028340301	N-HDW-AA	手輪操作器 M.P.G OPERATION	1
18	BL 00036500009	XB4BW33B1-G 24V 1A 22mm (TE)	照光按鈕開關 INDI. PUSH BUTTON	1
19	BL 00036500008	XB4BW14B2-R 24V 1B 22mm (TE)	照光按鈕開關 INDI. PUSH BUTTON	1

DRAWN	RACHEL-C	2007-06-01	NC TYPE	Oi-TC	MT TYPE	GS SERIES
CHECK	SUNNY-L	2007-06-01	DWG NO	E01\GS 8220iTC-P32	VERSION:A	
APPROVE	SUNNY-L	2007-06-01	PART NO	GS 8220iTCP		
TITLE	MAIN OPERATION PANEL					
REF						

REV	DESCRIPTION	DATE	ECN.
A	RELEASE TO A	2007/06/01	TBLE0106

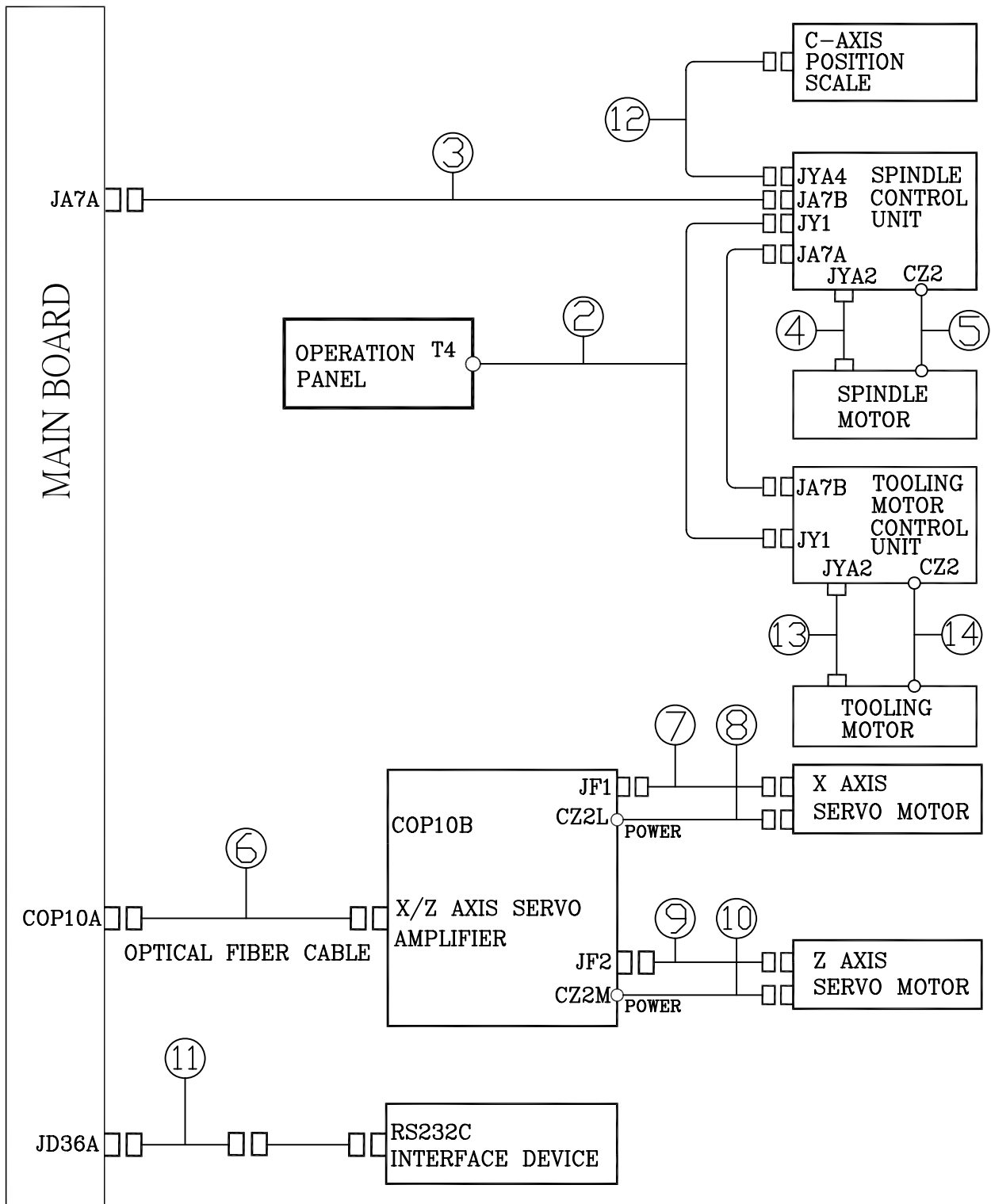
TALENT SYSTEM DIAGRAM FOR 0i-TC



DRAWN	RACHEL-C	2007-06-01	NC TYPE	0i-TC	MT TYPE	GS SERIES
CHECK	SUNNY-L	2007-06-01	DWG NO	E01\GS 8220iTC-P33	VERSION:A	
APPROVE	SUNNY-L	2007-06-01	PART NO	GS 8220iTCP		
TITLE	SYSTEM DIAGRAM					
REF						

REV	DESCRIPTION	DATE	ECN.
A	RELEASE TO A	2007/06/01	TBLE0106

TALENT SYSTEM DIAGRAM FOR Oi-TC

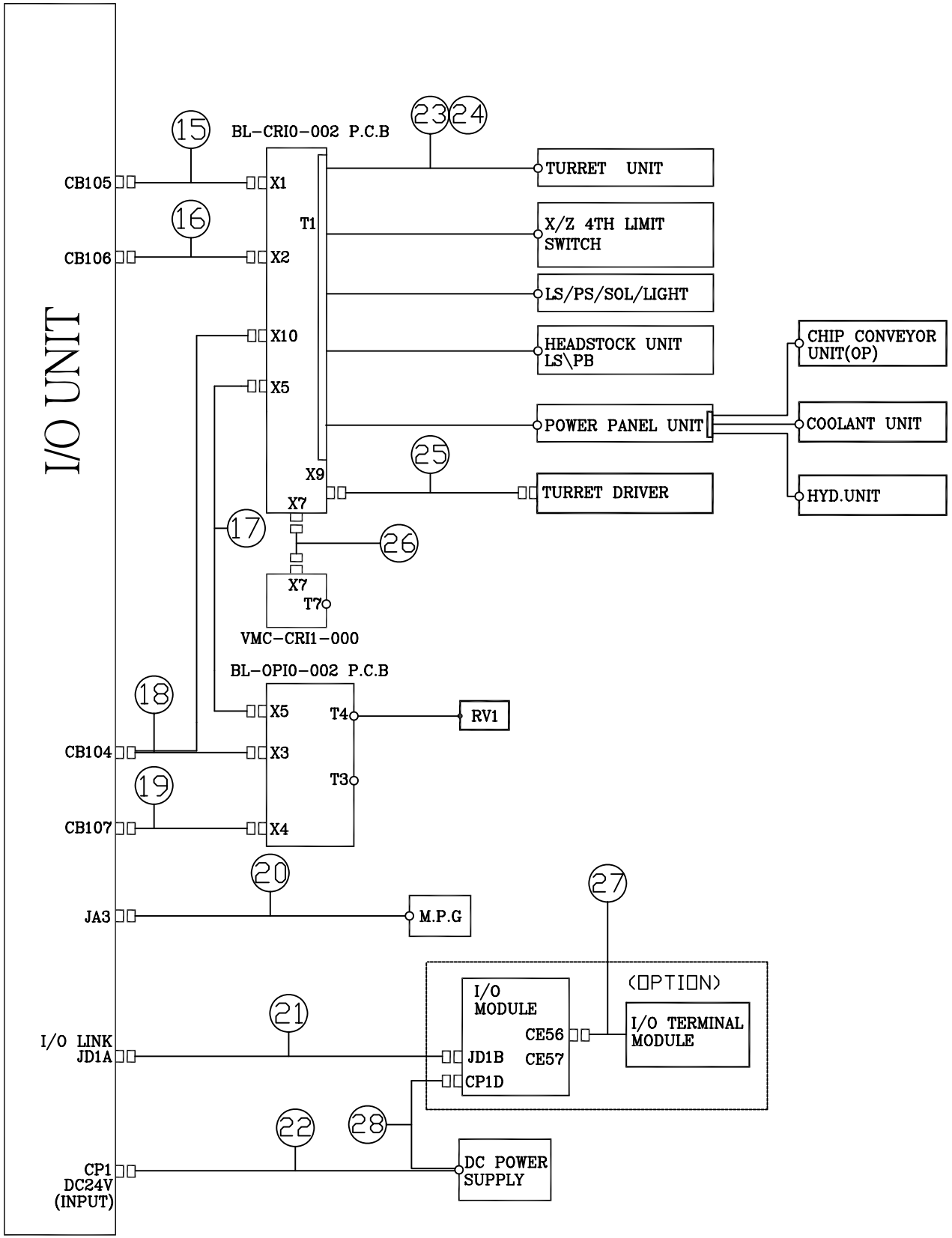


DRAWN	RACHEL-C	2007-06-01	NC TYPE	Oi-TC	MT TYPE	GS SERIES
CHECK	SUNNY-L	2007-06-01	DWG NO	E01\GS 8220iTC-P34		VERSION:A
APPROVE	SUNNY-L	2007-06-01	PART NO	GS 8220iTCP		
TITLE	SYSTEM DIAGRAM(WITH C AXIS)					
REF						

REV	DESCRIPTION	DATE	ECN.
A	RELEASE TO A	2007/06/01	TBLE0106

TALENT SYSTEM DIAGRAM FOR 0i-TC

A
B
C
D
E



DRAWN	RACHEL-C	2007-06-01	NC TYPE	0i-TC	MT TYPE	GS SERIES
CHECK	SUNNY-L	2007-06-01	DWG NO	E01\GS 8220iTC-P35		VERSION:A
APPROVE	SUNNY-L	2007-06-01	PART NO	GS 8220iTCP		
TITLE	SYSTEM DIAGRAM					
REF						

1

2

3

4

* : MT TYPE

REV	DESCRIPTION	DATE	ECN.
A	RELEASE TO A	2007/06/01	TBLE0106

MT TYPE	CODE
GS 150	A
GS 200	B
GS 200/66	E
GS 200/66L	F
GS 250	D
GS 250L	L

GS 8220iTC-P33~P35 PARTS LIST

ITEM (項目)	PART NUMBER (零件料號)	SPECIFICATION (規格)	DESCRIPTION (說明)	QUANTITY (數量)
1	GS *203011I33E	JYA3	電纜線組 CABLE SET	1
2	GS *203011I30D	JY1	電纜線組 CABLE SET	1
3	GS *203011I350	JA7A	電纜線組 CABLE SET	1/2
4	GS *203011I33X	JYA2	電纜線組 CABLE SET	1
5	GS *203011I31F	CZ2	電纜線組 CABLE SET	1
6	NV 00004000374	CDP10A	光纖線組 OPTICAL CABLE SET	1
7	GS *203011I33G	JF1	電纜線組 CABLE SET	1
8	GS *203011I33J	CZ2L	電纜線組 CABLE SET	1
9	GS *203011I33H	JF2	電纜線組 CABLE SET	1
10	GS *203011I33K	CZ2M	電纜線組 CABLE SET	1
11	GS *203011I353	JD36A	電纜線組 CABLE SET	1
12	GS *203011I31Y	JYA4	電纜線組 CABLE SET	1
13	GS *203011I34X	JYA2	電纜線組 CABLE SET	1
14	GS *203011I331	CZ2	電纜線組 CABLE SET	1
15	GS *203011I31M	CB105	電纜線組 CABLE SET	1
16	GS *203011I31N	CB106	電纜線組 CABLE SET	1
17	GS *203011I31Q	X5	電纜線組 CABLE SET	1
18	GS *203011I31L	CB104	電纜線組 CABLE SET	1
19	GS *203011I31D	CB107	電纜線組 CABLE SET	1
20	GS *203011I33F	JA3	電纜線組 CABLE SET	1

F	DRAWN	RACHEL-C	2007-06-01	NC TYPE	0i-TC	MT TYPE	GS SERIES
	CHECK	SUNNY-L	2007-06-01	DWG NO	E01\GS 8220iTC-P36	VERSION:A	
	APPROVE	SUNNY-L	2007-06-01	PART NO	GS 8220iTCP		
	TITLE	CABLE DESCRIPTION BOM					
	REF						

